



# Freestanding Woodstoves

# Owners & Installation Manual



MODELS: F1100S F3100L S3100L



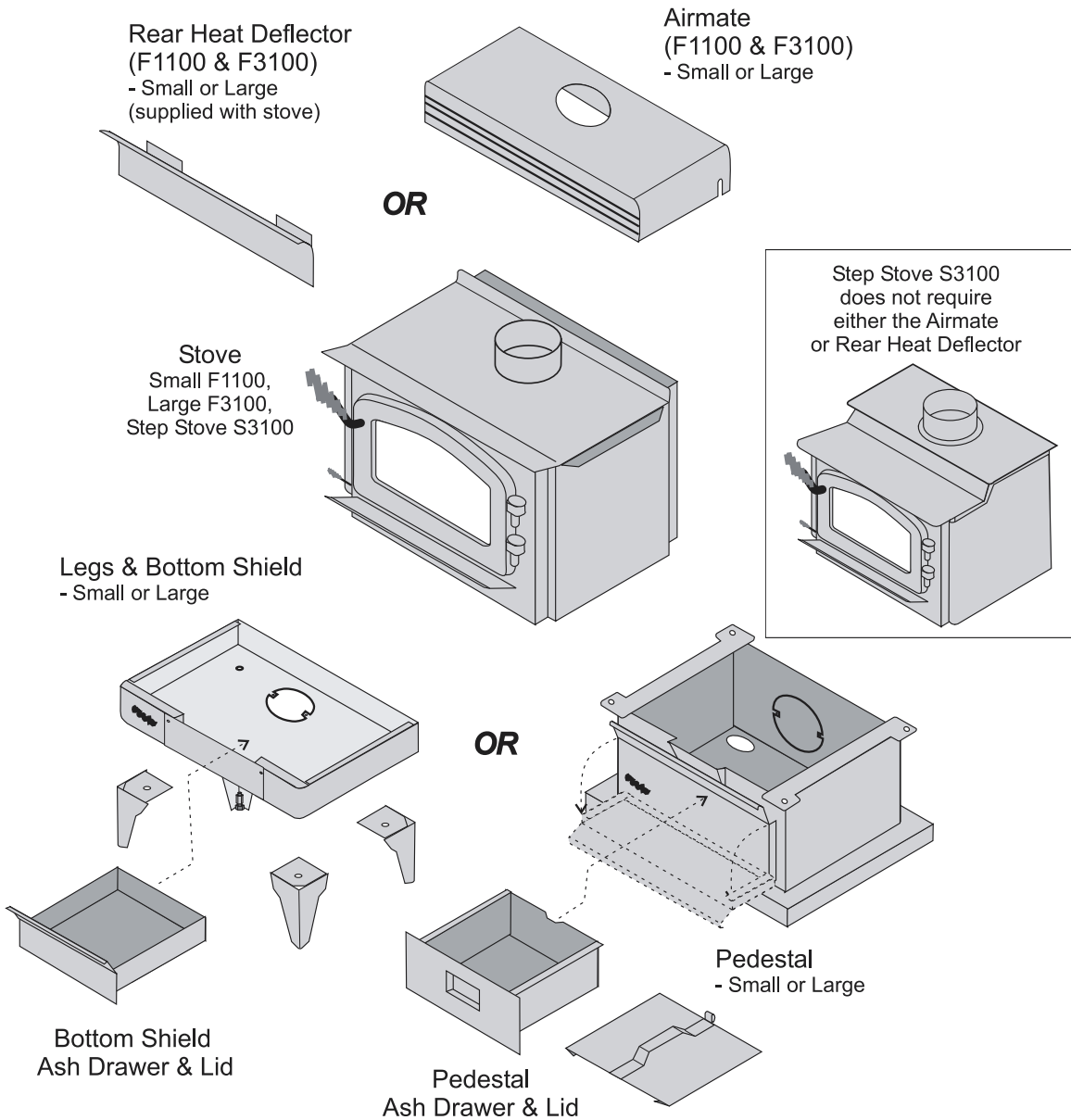
**Installer:** Please complete the details on the back cover and leave this manual with the homeowner.  
**Homeowner:** Please keep these instructions for future reference.

Thank-you for purchasing a  
**REGENCY FIREPLACE PRODUCT.**



The pride of workmanship that goes into each of our products will give you years of trouble-free enjoyment. Should you have any questions about your product that are not covered in this manual, please contact the **REGENCY DEALER** in your area.

Keep those **REGENCY FIRES** burning.

**SAFETY NOTE:** If this woodstove is not properly installed, a house fire may result. For your safety, follow the installation instructions, contact local building or fire officials about restrictions and installation inspection requirements in your area.



We recommend that our products be installed and serviced by professionals who are certified in the U.S. by NFI (National Fireplace Institute) or in Canada by WETT (Wood Energy Technical Training).



www.nficertified.org

# TABLE OF CONTENTS

## THE REGENCY FREESTANDING STOVE

### SAFETY LABEL

Small Freestanding Stove F1100S .....	4
Large Freestanding Stove F3100L .....	5
Large Freestanding Step Stove S3100L .....	6

### INSTALLATION

Residential Installation .....	7
Room Air .....	7
Modular Installation Options .....	7
Minimum Clearance to Combustibles .....	8
Residential "C" Vent Single Wall .....	8
Residential Close Clearance .....	8
Mobile Home Close Clearance .....	8
Minimum Alcove Clearances .....	9
Floor Protection .....	9
Stove Assembly Prior to Installation .....	10
Airmate Assembly .....	10
Rear Heat Deflector Assembly .....	10
Side Shield Adjustment for the S3100 .....	10
Pedestal Assembly .....	10
Leg and Bottom Shield Assembly .....	11
Chimney & Connector Installation .....	11
Flue Height Table .....	12
Recommended Height for Woodstove Flue .....	12
Mobile Home Installation .....	12
Listed Components for Mobile Home Installation	
- U.S. Installations .....	13
- Canadian Installations .....	13
Brick Flue Baffle & Secondary Air Tube Installation	
- Large Stove F3100L & S3100L .....	14
- Small Stove F1100S .....	14
Brick Installation .....	15
Door Handle .....	15

Glass Installation .....	15
Optional Accessories	
- Pedestal Ash Drawer Kit .....	15
- Bottom Shield Ashdrawer Kit .....	15
- Blower/Fan .....	16
- Blower/Fan Wiring Diagram .....	16

### OPERATING INSTRUCTIONS

Operating Instructions .....	17
Draft Control .....	17
First Fire .....	17
Fan Operation .....	17
Ash Disposal .....	18
- Ash Drawer Operating Guidelines .....	18
Safety Guidelines .....	18

### MAINTENANCE

Maintenance .....	19
Creosote .....	19
- Ways to Prevent & Keep Units Free of Creosote .....	19
Maintenance of Gold Doors .....	19
Latch Adjustment .....	19
Door Gasket .....	19
Glass Maintenance .....	19
- Glass Replacement .....	19
Parts List - F1100, F3100 .....	20
Parts List - S3100 .....	21
Parts List - Pedestal, Bottom Shield and Legs .....	22
Parts List - Firebrick .....	23

### WARRANTY

Warranty .....	27
----------------	----

# SAFETY LABEL

This is a copy of the label that accompanies each Regency Small Freestanding Woodstove (F1100S).

We have printed a copy of the contents here for your review.

**NOTE:** Regency units are constantly being improved. Check the label on the unit and if there is a difference, the label on the unit is the correct one.


Warnock Hersey  
**C F H US**

**LISTED SPACE HEATER, SOLID FUEL TYPE, ALSO SUITABLE FOR MOBILE HOME INSTALLATION**


MODEL: REGENCY SMALL FREESTANDING STOVE - F1100S  
TESTED TO: CSA B366.2 / ULC S627 / UL 1482 REPORT NO.6621 (MAY 1993)

**DO NOT REMOVE THIS LABEL**

100



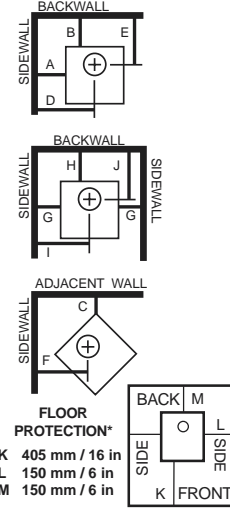
F1100S WITH AIRMATE SHIELD



F1100S WITHOUT AIRMATE SHIELD

INSTALL AND USE ONLY IN ACCORDANCE WITH THE MANUFACTURER'S INSTALLATION AND OPERATING INSTRUCTIONS. CONTACT LOCAL BUILDING OR FIRE OFFICIALS ABOUT RESTRICTIONS AND INSTALLATION INSPECTION IN YOUR AREA. USE 150 MM (6 IN.) DIAMETER MINIMUM 24 MSG BLACK OR 26 MSG BLUED STEEL CONNECTOR WITH LISTED FACTORY-BUILT CHIMNEY SUITABLE FOR USE WITH SOLID FUELS OR MASONRY CHIMNEY. SEE LOCAL BUILDING CODE AND MANUFACTURER'S INSTRUCTIONS FOR PRECAUTIONS REQUIRED FOR PASSING A CHIMNEY THROUGH A COMBUSTIBLE WALL OR CEILING. DO NOT PASS CHIMNEY CONNECTOR THROUGH COMBUSTIBLE WALL OR CEILING. DO NOT CONNECT THIS UNIT TO A CHIMNEY FLUE SERVING ANOTHER APPLIANCE.

MINIMUM CLEARANCES TO COMBUSTIBLE MATERIALS					
F1100S WITH AIRMATE SHIELD			F1100S WITHOUT AIRMATE SHIELD		
MEASURE FROM	HEATER	FLUE CENTER-LINE	MEASURE FROM	HEATER	FLUE CENTER-LINE
RESIDENTIAL INSTALLATION USING SINGLE WALL CONNECTOR					
SIDEWALL	A 330 mm / 13 in	D 635 mm / 25 in	SIDEWALL	A 380 mm / 15 in	D 685 mm / 27 in
BACKWALL	B 280 mm / 11 in	E 445 mm / 17.5 in	BACKWALL	B 265 mm / 10.5 in	E 430 mm / 17 in
CORNER	C 205 mm / 8 in	F 510 mm / 20 in	CORNER	C 280 mm / 11 in	F 585 mm / 23 in
INSTALLATION USING LISTED DOUBLE WALL CONNECTOR - MOBILE HOME					
SIDEWALL	A 280 mm / 11 in	D 585 mm / 23 in	SIDEWALL	A 330 mm / 13 in	D 635 mm / 25 in
BACKWALL	B 150 mm / 6 in	E 320 mm / 12.5 in	BACKWALL	B 125 mm / 5 in	E 290 mm / 11.5 in
CORNER	C 150 mm / 6 in	F 460 mm / 18 in	CORNER	C 230 mm / 9 in	F 535 mm / 21 in
INSTALLATION USING LISTED DOUBLE WALL CONNECTOR - RESIDENTIAL CLOSE CLEARANCE					
SIDEWALL	A 230 mm / 9 in	D 535 mm / 21 in	SIDEWALL	A 345 mm / 13.5 in	D 650 mm / 25.5 in
BACKWALL	B 125 mm / 5 in	E 290 mm / 11.5 in	BACKWALL	B 125 mm / 5 in	E 290 mm / 11.5 in
CORNER	C 75 mm / 3 in	F 380 mm / 15 in	CORNER	C 125 mm / 5 in	F 430 mm / 17 in
INSTALLATION USING LISTED DOUBLE WALL CONNECTOR - ALCOVE					
SIDEWALL	G 280 mm / 11 in	I 585 mm / 23 in	SIDEWALL	G 330 mm / 13 in	I 635 mm / 25 in
BACKWALL	H 180 mm / 7 in	J 345 mm / 13.5 in	BACKWALL	H 125 mm / 5 in	J 290 mm / 11.5 in




\* In Canada, floor protection must extend 18" to the front and 8" to each side of the stove.

MINIMUM ALCOVE CEILING HEIGHT: 2.15 M / 7 FT    MAXIMUM ALCOVE DEPTH 915 MM / 36 IN.  
MINIMUM CLEARANCES FOR HORIZONTAL CONNECTOR TO CEILING: 455 MM / 18"  
THE SPACE BENEATH THE HEATER MUST NOT BE OBSTRUCTED. OPERATE ONLY WITH FIREBRICKS IN PLACE.

FOR USE WITH SOLID WOOD FUEL ONLY. USE OF OTHER FUELS MAY DAMAGE HEATER AND CREATE A HAZARDOUS CONDITION. DO NOT OBSTRUCT COMBUSTION AIR OPENINGS. OPERATE ONLY WITH FIREBRICKS IN PLACE. OPERATE ONLY WITH DOOR CLOSED - OPEN FEED DOOR TO FEED FIRE ONLY. DO NOT USE GRATE OR ELEVATE FIRE. BUILD WOOD FIRE DIRECTLY ON HEARTH. DO NOT OVERFIRE - IF HEATER OR CHIMNEY CONNECTOR GLOWS YOU ARE OVERFIRING. INSPECT AND CLEAN CHIMNEY AND CONNECTOR FREQUENTLY. UNDER CERTAIN CONDITIONS OF USE CREOSOTE BUILDUP MAY OCCUR RAPIDLY. KEEP FURNISHINGS AND OTHER COMBUSTIBLE MATERIAL AWAY FROM HEATER. REPLACE GLASS ONLY WITH NEOCERAM GLASS. COMBUSTIBLE FLOOR MUST BE PROTECTED BY NON-COMBUSTIBLE MATERIAL EXTENDING BENEATH THE HEATER AND TO THE FRONT AND SIDES AS INDICATED OR TO THE NEAREST PERMITTED COMBUSTIBLE MATERIAL.

OPTIONAL COMPONENT: FAN, ELECTRICAL RATING: VOLTS 115, 60 HZ, 2 AMPS

COMPONENTS REQUIRED FOR MOBILE HOME INSTALLATION: OUTSIDE AIR KIT AND ONE OF THE FOLLOWING DOUBLE WALL CONNECTOR  
IN CANADA: LISTED SECURITY MODEL DP, OR OLIVER MACLEOD PRO-VENT PV DOUBLE WALLED CONNECTOR WITH LISTED CHIMNEY SYSTEM: SECURITY MODEL S2100, ICC EXCEL 2100.  
IN USA: LISTED DOUBLE WALL CONNECTORS SECURITY MODEL DP, SELKIRK MODEL DS, OLIVER MACLEOD PRO VENT PV, SIMPSON DURA VENT MODEL DVL, GSW SUPER PIPE 6, METAL-FAB DOUBLE WALL. CONNECTED TO ONE OF THE FOLLOWING COMPATIBLE CHIMNEY SYSTEMS SECURITY MODEL S2100 OR MODEL ASHT, SELKIRK MODEL SSI, OLIVER MACLEOD PRO JET 3103, SIMPSON DURA PLUS, GSW MODEL SC OR METAL-FAB TEMP/GUARD, AMERI-TEC HS, ICC EXCEL 2100. USE CHIMNEY COMPONENTS AS SPECIFIED IN INSTALLATION INSTRUCTIONS.




MANUFACTURED BY: FIREPLACE PRODUCTS INTERNATIONAL LTD.  
6988 VENTURE ST.  
DELTA, BC V4G 1H4

MADE IN CANADA

UNITED STATES ENVIRONMENTAL PROTECTION AGENCY

CERTIFIED TO COMPLY WITH JULY 1990, PARTICULATE EMISSION STANDARDS.



## CAUTION

HOT WHILE IN OPERATION DO NOT TOUCH. KEEP CHILDREN, CLOTHING AND FURNITURE AWAY. CONTACT MAY CAUSE SKIN BURNS. READ NAMEPLATE AND INSTRUCTIONS.

WD  
908-281 01/03

DATE OF MANUFACTURE

JAN  FEB  MAR  APR  MAY  JUN  JUL  AUG  SEPT  OCT  NOV  DEC

2002  2003  2004

# SAFETY LABEL

This is a copy of the label that accompanies each Regency Large Freestanding Woodstove (F3100L).

We have printed a copy of the contents here for your review.

**NOTE:** Regency units are constantly being improved. Check the label on the unit and if there is a difference, the label on the unit is the correct one.

Warnock Hersey  
**C US**


**LISTED SPACE HEATER, SOLID FUEL TYPE, SUITABLE FOR MOBILE HOME INSTALLATION**

MODEL: **REGENCY LARGE FREESTANDING STOVE - F3100L**


TESTED TO: **CSA B366.2 / ULC S627 / UL 1482 REPORT NO.6623 (MAY 93)**

**DO NOT REMOVE THIS LABEL**

102



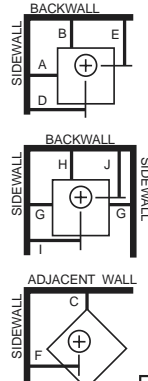
F3100L WITH AIRMATE SHIELD



F3100L WITHOUT AIRMATE SHIELD

INSTALL AND USE ONLY IN ACCORDANCE WITH THE MANUFACTURER'S INSTALLATION AND OPERATING INSTRUCTIONS. CONTACT LOCAL BUILDING OR FIRE OFFICIALS ABOUT RESTRICTIONS AND INSTALLATION INSPECTION IN YOUR AREA. USE 150 MM (6 IN.) DIAMETER MINIMUM 24 MSG BLACK OR 26 MSG BLUED STEEL CONNECTOR WITH LISTED FACTORY-BUILT CHIMNEY SUITABLE FOR USE WITH SOLID FUELS OR MASONRY CHIMNEY. SEE LOCAL BUILDING CODE AND MANUFACTURER'S INSTRUCTIONS FOR PRECAUTIONS REQUIRED FOR PASSING A CHIMNEY THROUGH A COMBUSTIBLE WALL OR CEILING. DO NOT PASS CHIMNEY CONNECTOR THROUGH COMBUSTIBLE WALL OR CEILING. DO NOT CONNECT THIS UNIT TO A CHIMNEY FLUE SERVING ANOTHER APPLIANCE.

MINIMUM CLEARANCES TO COMBUSTIBLE MATERIALS					
F3100L WITH AIRMATE SHIELD			F3100L WITHOUT AIRMATE SHIELD		
MEASURE FROM	HEATER	FLUE CENTER-LINE	MEASURE FROM	HEATER	FLUE CENTER-LINE
RESIDENTIAL INSTALLATION USING SINGLE WALL CONNECTOR					
SIDEWALL	A 460 mm / 18 in	D 810 mm / 32 in	SIDEWALL	A 510 mm / 20 in	D 860 mm / 34 in
BACKWALL	B 305 mm / 12 in	E 470 mm / 18.5 in	BACKWALL	B 355 mm / 14 in	E 520 mm / 20.5 in
CORNER	C 215 mm / 8.5 in	F 560 mm / 22 in	CORNER	C 265 mm / 10.5 in	F 610 mm / 24 in
INSTALLATION USING LISTED DOUBLE WALL CONNECTOR - MOBILE HOME					
SIDEWALL	A 460 mm / 18 in	D 810 mm / 32 in	SIDEWALL	A 510 mm / 20 in	D 860 mm / 34 in
BACKWALL	B 240 mm / 9.5 in	E 405 mm / 16 in	BACKWALL	B 305 mm / 12 in	E 470 mm / 18.5 in
CORNER	C 255 mm / 10 in	F 595 mm / 23.5 in	CORNER	C 255 mm / 10 in	F 595 mm / 23.5 in
INSTALLATION USING LISTED DOUBLE WALL CONNECTOR - RESIDENTIAL CLOSE CLEARANCE					
SIDEWALL	A 405 mm / 16 in	D 760 mm / 30 in	SIDEWALL	A 510 mm / 20 in	D 860 mm / 34 in
BACKWALL	B 240 mm / 9.5 in	E 405 mm / 16 in	BACKWALL	B 305 mm / 12 in	E 470 mm / 18.5 in
CORNER	C 215 mm / 8.5 in	F 560 mm / 22 in	CORNER	C 215 mm / 8.5 in	F 560 mm / 22 in
INSTALLATION USING LISTED DOUBLE WALL CONNECTOR - ALCOVE			ALCOVE INSTALLATION REQUIRES AIRMATE SHIELD		
SIDEWALL	G 405 mm / 16 in	I 760 mm / 30 in			
BACKWALL	H 240 mm / 9.5 in	J 405 mm / 16 in			



**FLOOR PROTECTION\***

K	405 mm / 16 in
L	150 mm / 6 in
M	150 mm / 6 in

\* In Canada, floor protection must extend 18" to the front and 8" to each side of the stove.


MINIMUM CLEARANCE BETWEEN HORIZONTAL CHIMNEY CONNECTOR AND COMBUSTIBLE MATERIALS - 460 MM (18 IN.). CLEARANCE MAY BE REDUCED BY THE USE OF LISTED PIPE SHIELDS, WALL PROTECTORS OR OTHER MEANS APPROVED BY LOCAL BUILDING OR FIRE OFFICIALS. COMBUSTIBLE FLOOR MUST BE PROTECTED BY NON-COMBUSTIBLE MATERIAL EXTENDING BENEATH THE HEATER AND TO THE FRONT AND SIDES AS INDICATED OR TO THE NEAREST PERMITTED COMBUSTIBLE MATERIAL.

FOR USE WITH SOLID WOOD FUEL ONLY. USE OF OTHER FUELS MAY DAMAGE HEATER AND CREATE A HAZARDOUS CONDITION. DO NOT OBSTRUCT COMBUSTION AIR OPENINGS. OPERATE ONLY WITH FIREBRICKS IN PLACE. OPERATE ONLY WITH DOOR CLOSED - OPEN FEED DOOR TO FEED FIRE ONLY. DO NOT USE GRATE OR ELEVATE FIRE. BUILD WOOD FIRE DIRECTLY ON HEARTH. DO NOT OVERFIRE - IF HEATER OR CHIMNEY CONNECTOR GLOWS YOU ARE OVERFIRING. INSPECT AND CLEAN CHIMNEY AND CONNECTOR FREQUENTLY. UNDER CERTAIN CONDITIONS OF USE CREOSOTE BUILDUP MAY OCCUR RAPIDLY. KEEP FURNISHINGS AND OTHER COMBUSTIBLE MATERIAL AWAY FROM HEATER. REPLACE GLASS ONLY WITH NEOCERAM GLASS.

OPTIONAL COMPONENT: FAN, ELECTRICAL RATING: VOLTS 115, 60 HZ, 2 AMPS

COMPONENTS REQUIRED FOR MOBILE HOME INSTALLATION: OUTSIDE AIR KIT AND ONE OF THE FOLLOWING DOUBLE WALL CONNECTOR IN CANADA: LISTED SECURITY MODEL DP, OR OLIVER MACLEOD PRO-VENT PV DOUBLE WALLED CONNECTOR WITH LISTED CHIMNEY SYSTEM: SECURITY MODEL S2100, ICC EXCEL 2100.

IN USA: LISTED DOUBLE WALL CONNECTORS SECURITY MODEL DP, SELKIRK MODEL DS, OLIVER MACLEOD PRO VENT PV, SIMPSON DURA VENT MODEL DVL, GSW SUPER PIPE 6, METAL-FAB DOUBLE WALL. CONNECTED TO ONE OF THE FOLLOWING COMPATIBLE CHIMNEY SYSTEMS SECURITY MODEL S2100 OR MODEL ASHT, SELKIRK MODEL SSI, OLIVER MACLEOD PRO JET 3103, SIMPSON DURA PLUS, GSW MODEL SC OR METAL-FAB TEMP/GUARD, AMERI-TEC HS, ICC EXCEL 2100. USE CHIMNEY COMPONENTS AS SPECIFIED IN INSTALLATION INSTRUCTIONS.




MANUFACTURED BY: FIREPLACE PRODUCTS INTERNATIONAL LTD.  
6988 VENTURE ST.  
DELTA, BC V4G 1H4

MADE IN CANADA

**UNITED STATES ENVIRONMENTAL PROTECTION AGENCY**

CERTIFIED TO COMPLY WITH JULY 1990, PARTICULATE EMISSION STANDARDS.



## CAUTION

HOT WHILE IN OPERATION DO NOT TOUCH. KEEP CHILDREN, CLOTHING AND FURNITURE AWAY. CONTACT MAY CAUSE SKIN BURNS. READ NAMEPLATE AND INSTRUCTIONS.

WD  
908-351  
01/03

DATE OF MANUFACTURE

JAN  FEB  MAR  APR  MAY  JUN  JUL  AUG  SEPT  OCT  NOV  DEC


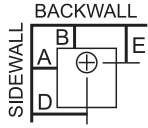
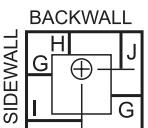
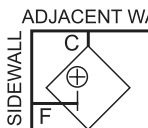


2001  2002  2003

# SAFETY LABEL

This is a copy of the label that accompanies each Regency Large Freestanding Step Woodstove (S3100L).

We have printed a copy of the contents here for your review.

**NOTE:** Regency units are constantly being improved. Check the label on the unit and if there is a difference, the label on the unit is the correct one.

	<p><b>LISTED SPACE HEATER, SOLID FUEL TYPE, ALSO SUITABLE FOR MOBILE HOME INSTALLATION.</b></p> <p>MODEL: <b>REGENCY LARGE FREESTANDING STEP STOVE - S3100L</b></p>	<p>DO NOT REMOVE THIS LABEL</p> <div style="border: 1px solid black; padding: 5px; text-align: center;">108</div>	<p style="writing-mode: vertical-rl; transform: rotate(180deg);">DATE OF MANUFACTURE</p> <p style="writing-mode: vertical-rl; transform: rotate(180deg);">2002 ○ 2003 ○ 2004 ○</p>																																																																
<p>TESTED TO: CSA B366.2 / ULC S627 / UL 1482 REPORT Number 6623 (MAY 1993)</p>																																																																			
<p><b>S3100L</b> INSTALL AND USE ONLY IN ACCORDANCE WITH THE MANUFACTURER'S INSTALLATION AND OPERATING INSTRUCTIONS. CONTACT LOCAL BUILDING OR FIRE OFFICIALS ABOUT RESTRICTIONS AND INSTALLATION INSPECTION IN YOUR AREA. USE 150 MM (6 IN.) DIAMETER MINIMUM 24 MSG BLACK OR 26 MSG BLUED STEEL CONNECTOR WITH LISTED FACTORY-BUILT CHIMNEY SUITABLE FOR USE WITH SOLID FUELS OR MASONRY CHIMNEY.</p> <p>SEE LOCAL BUILDING CODE AND MANUFACTURER'S INSTRUCTIONS FOR PRECAUTIONS REQUIRED FOR PASSING A CHIMNEY THROUGH A COMBUSTIBLE WALL OR CEILING. DO NOT PASS CHIMNEY CONNECTOR THROUGH COMBUSTIBLE WALL OR CEILING. DO NOT CONNECT THIS UNIT TO A CHIMNEY FLUE SERVING ANOTHER APPLIANCE.</p>																																																																			
<p style="text-align: center;"><b>S3100L MINIMUM CLEARANCES TO COMBUSTIBLE MATERIALS</b></p> <table border="0" style="width: 100%;"> <tr> <td style="width: 25%;">Measure From</td> <td style="width: 25%;">Heater</td> <td style="width: 25%;">Flue Center-Line</td> <td style="width: 25%;"></td> </tr> <tr> <td colspan="4"><b>RESIDENTIAL INSTALLATION USING SINGLE WALL CONNECTOR</b></td> </tr> <tr> <td>SIDEWALL</td> <td>A 460 mm / 18 in</td> <td>D 810 mm / 32 in</td> <td></td> </tr> <tr> <td>BACKWALL</td> <td>B 305 mm / 12 in</td> <td>E 470 mm / 18.5 in</td> <td></td> </tr> <tr> <td>CORNER</td> <td>C 215 mm / 8.5 in</td> <td>F 560 mm / 22 in</td> <td></td> </tr> </table> <div style="display: flex; justify-content: space-around; margin-top: 10px;"> <div style="text-align: center;">  </div> <div style="text-align: center;">  </div> <div style="text-align: center;">  </div> </div> <table border="0" style="width: 100%; margin-top: 10px;"> <tr> <td colspan="4"><b>INSTALLATION USING LISTED DOUBLE WALL CONNECTOR - MOBILE HOME</b></td> </tr> <tr> <td>SIDEWALL</td> <td>A 460 mm / 18 in</td> <td>D 810 mm / 32 in</td> <td></td> </tr> <tr> <td>BACKWALL</td> <td>B 240 mm / 9.5 in</td> <td>E 405 mm / 16 in</td> <td></td> </tr> <tr> <td>CORNER</td> <td>C 255 mm / 10 in</td> <td>F 595 mm / 23.5 in</td> <td></td> </tr> </table> <table border="0" style="width: 100%; margin-top: 10px;"> <tr> <td colspan="4"><b>INSTALLATION USING LISTED DOUBLE WALL CONNECTOR - RESIDENTIAL CLOSE CLEARANCE</b></td> </tr> <tr> <td>SIDEWALL</td> <td>A 405 mm / 16 in</td> <td>D 760 mm / 30 in</td> <td></td> </tr> <tr> <td>BACKWALL</td> <td>B 240 mm / 9.5 in</td> <td>E 405 mm / 16 in</td> <td></td> </tr> <tr> <td>CORNER</td> <td>C 215 mm / 8.5 in</td> <td>F 560 mm / 22 in</td> <td></td> </tr> </table> <table border="0" style="width: 100%; margin-top: 10px;"> <tr> <td colspan="4"><b>INSTALLATION USING LISTED DOUBLE WALL CONNECTOR - ALCOVE</b></td> </tr> <tr> <td>SIDEWALL</td> <td>G 405 mm / 16 in</td> <td>I 760 mm / 30 in</td> <td></td> </tr> <tr> <td>BACKWALL</td> <td>H 240 mm / 9.5 in</td> <td>J 405 mm / 16 in</td> <td></td> </tr> </table> <div style="margin-top: 10px;"> <p><b>FLOOR PROTECTION*</b></p> <p>K 405 mm / 16 in.</p> <p>L 150 mm / 6 in.</p> <p>M 150 mm / 6 in.</p> <p>* In Canada, floor protection must extend 18" to the front and 8" to each side of the stove.</p> </div>				Measure From	Heater	Flue Center-Line		<b>RESIDENTIAL INSTALLATION USING SINGLE WALL CONNECTOR</b>				SIDEWALL	A 460 mm / 18 in	D 810 mm / 32 in		BACKWALL	B 305 mm / 12 in	E 470 mm / 18.5 in		CORNER	C 215 mm / 8.5 in	F 560 mm / 22 in		<b>INSTALLATION USING LISTED DOUBLE WALL CONNECTOR - MOBILE HOME</b>				SIDEWALL	A 460 mm / 18 in	D 810 mm / 32 in		BACKWALL	B 240 mm / 9.5 in	E 405 mm / 16 in		CORNER	C 255 mm / 10 in	F 595 mm / 23.5 in		<b>INSTALLATION USING LISTED DOUBLE WALL CONNECTOR - RESIDENTIAL CLOSE CLEARANCE</b>				SIDEWALL	A 405 mm / 16 in	D 760 mm / 30 in		BACKWALL	B 240 mm / 9.5 in	E 405 mm / 16 in		CORNER	C 215 mm / 8.5 in	F 560 mm / 22 in		<b>INSTALLATION USING LISTED DOUBLE WALL CONNECTOR - ALCOVE</b>				SIDEWALL	G 405 mm / 16 in	I 760 mm / 30 in		BACKWALL	H 240 mm / 9.5 in	J 405 mm / 16 in	
Measure From	Heater	Flue Center-Line																																																																	
<b>RESIDENTIAL INSTALLATION USING SINGLE WALL CONNECTOR</b>																																																																			
SIDEWALL	A 460 mm / 18 in	D 810 mm / 32 in																																																																	
BACKWALL	B 305 mm / 12 in	E 470 mm / 18.5 in																																																																	
CORNER	C 215 mm / 8.5 in	F 560 mm / 22 in																																																																	
<b>INSTALLATION USING LISTED DOUBLE WALL CONNECTOR - MOBILE HOME</b>																																																																			
SIDEWALL	A 460 mm / 18 in	D 810 mm / 32 in																																																																	
BACKWALL	B 240 mm / 9.5 in	E 405 mm / 16 in																																																																	
CORNER	C 255 mm / 10 in	F 595 mm / 23.5 in																																																																	
<b>INSTALLATION USING LISTED DOUBLE WALL CONNECTOR - RESIDENTIAL CLOSE CLEARANCE</b>																																																																			
SIDEWALL	A 405 mm / 16 in	D 760 mm / 30 in																																																																	
BACKWALL	B 240 mm / 9.5 in	E 405 mm / 16 in																																																																	
CORNER	C 215 mm / 8.5 in	F 560 mm / 22 in																																																																	
<b>INSTALLATION USING LISTED DOUBLE WALL CONNECTOR - ALCOVE</b>																																																																			
SIDEWALL	G 405 mm / 16 in	I 760 mm / 30 in																																																																	
BACKWALL	H 240 mm / 9.5 in	J 405 mm / 16 in																																																																	
<p><b>MINIMUM CLEARANCE BETWEEN HORIZONTAL CHIMNEY CONNECTOR AND COMBUSTIBLE MATERIALS - 460 MM (18 IN.). CLEARANCE MAY BE REDUCED BY THE USE OF LISTED PIPE SHIELDS, WALL PROTECTORS OR OTHER MEANS APPROVED BY LOCAL BUILDING OR FIRE OFFICIALS. COMBUSTIBLE FLOOR MUST BE PROTECTED BY NON-COMBUSTIBLE MATERIAL EXTENDING BENEATH THE HEATER AND TO THE FRONT AND SIDES AS INDICATED OR TO THE NEAREST PERMITTED COMBUSTIBLE MATERIAL.</b></p>																																																																			
<p>FOR USE WITH SOLID WOOD FUEL ONLY. USE OF OTHER FUELS MAY DAMAGE HEATER AND CREATE A HAZARDOUS CONDITION. DO NOT OBSTRUCT COMBUSTION AIR OPENINGS. OPERATE ONLY WITH FIREBRICKS IN PLACE. OPERATE ONLY WITH DOOR CLOSED. OPEN FEED DOOR TO FEED FIRE ONLY. DO NOT USE GRATE OR ELEVATE FIRE. BUILD WOOD FIRE DIRECTLY ON HEARTH. DO NOT OVERFIRE - IF HEATER OR CHIMNEY CONNECTOR GLOWS YOU ARE OVERFIRING. INSPECT AND CLEAN CHIMNEY AND CONNECTOR FREQUENTLY. UNDER CERTAIN CONDITIONS OF USE CREOSOTE BUILDUP MAY OCCUR RAPIDLY. KEEP FURNISHINGS AND OTHER COMBUSTIBLE MATERIAL AWAY FROM HEATER. REPLACE GLASS ONLY WITH NEOCERAM GLASS.</p> <p>OPTIONAL COMPONENT: FAN, ELECTRICAL RATING: VOLTS 115, 60 HZ, 2 AMPS</p>																																																																			
<p>COMPONENTS REQUIRED FOR MOBILE HOME INSTALLATION: OUTSIDE AIR KIT AND ONE OF THE FOLLOWING DOUBLE WALL CONNECTOR IN CANADA: LISTED SECURITY MODEL DP, OR OLIVER MACLEOD PRO-VENT PV DOUBLE WALLED CONNECTOR WITH LISTED CHIMNEY SYSTEM: SECURITY MODEL S2100, ICC EXCEL 2100.</p> <p>IN USA: LISTED DOUBLE WALL CONNECTORS SECURITY MODEL DP, SELKIRK MODEL DS, OLIVER MACLEOD PRO VENT PV, SIMPSON DURA VENT MODEL DVL, GSW SUPER PIPE 6, METAL-FAB DOUBLE WALL. CONNECTED TO ONE OF THE FOLLOWING COMPATIBLE CHIMNEY SYSTEMS SECURITY MODEL S2100 OR MODEL ASHT, SELKIRK MODEL SSII, OLIVER MACLEOD PRO JET 3103, SIMPSON DURA PLUS, GSW MODEL SC OR METAL-FAB TEMP/GUARD, AMERI-TEC HS, ICC EXCEL 2100. USE CHIMNEY COMPONENTS AS SPECIFIED IN INSTALLATION INSTRUCTIONS.</p>																																																																			
		<p>MANUFACTURED BY: FIREPLACE PRODUCTS INTERNATIONAL LTD. 6988 VENTURE ST., DELTA, BC V4G 1H4</p> <p>MADE IN CANADA</p>																																																																	
<p>UNITED STATES ENVIRONMENTAL PROTECTION AGENCY</p>		<p>CERTIFIED TO COMPLY WITH JULY 1990, PARTICULATE EMISSION STANDARDS</p>																																																																	
<div style="border: 2px solid black; padding: 10px; width: 100px; height: 100px; display: flex; align-items: center; justify-content: center;">  </div>		<p><b>CAUTION</b></p> <p><b>HOT WHILE IN OPERATION DO NOT TOUCH.</b></p> <p><b>KEEP CHILDREN, CLOTHING AND FURNITURE AWAY. CONTACT MAY CAUSE SKIN BURNS,</b></p> <p><b>READ NAMEPLATE AND INSTRUCTIONS.</b></p>																																																																	
		<p>WD 908-817 rev. 01/03</p>																																																																	

# INSTALLATION

## RESIDENTIAL INSTALLATION

- 1) Read all instructions before installing your Regency Stove. Install and use only in accordance with these installation and operating instructions. Be aware that local Codes and Regulations may override some items in this manual. Check with your local inspector.
- 2) Select a position for your Regency Stove. Consult the minimum clearance chart for your model and set the stove in place. For close clearance installation use listed double wall connector systems (see page 13).
- 3) To insure vertical alignment, suspend a plumb bob from the ceiling over the exact center of your stove flue and mark a spot on the ceiling to indicate the center of the chimney.
- 4) Check that the area above the ceiling is clear for cutting. Re-confirm the clearance from the stove to combustibles to insure that they are within the prescribed limits.
- 5) Install chimney according to chimney manufacturers instructions. The performance of your woodstove is governed to a very large part by the chimney system. Too short a chimney can cause difficult start-up, dirty glass, backsmoking when door is open, and even reduced heat output. Too tall a chimney may prompt excessive draft which can result in very short burn times and excessive heat output. The use of an inexpensive flue pipe damper may be helpful in reducing excessive draft.

**CAUTION:** The chimney should be the same size as the flue outlet on the stove. The

chimney must be listed as suitable for use with solid fuels. For other types of chimneys check with your local building code officials. Do not confuse a chimney with a type "B" Venting System used for gas appliances as suitable for a wood burning appliance. For Mobile Home installations refer to that section on page 12.

- 6) Mark the location of the pedestal base or legs on the floor, then move the stove aside and mark the position of the floor protector.
- 7) The floor protector must be of non-combustible material and must extend 16" in front of the door opening and 6" to the sides and rear of the unit. Some areas may require a larger size floor protector. See your local inspector. For outside air installation refer to Mobile Home installation instructions on page 12.

**NOTE: In Canada, floor protection must extend 18" to the front and 8" to each side of the stove.**

- 8) When the floor protection is complete, position the stove with the flue collar centered under the installed chimney.
- 9) In seismically active areas, Regency recommends that your unit is secured to the floor by using the bolt down holes inside the pedestal (the same ones used in Mobile Home installations).
- 10) For residential installations using "C" Vent (single wall) the chimney connector must be at least 24 gauge steel. Do not use galvanized pipe. For Mobile Home installation refer to the Mobile Home installation instructions on page 12.
- 11) Do not connect this unit to a chimney serving another appliance unless approved by

your local building authority.

- 12) A chimney connector cannot pass through an attic or roof space, closet or similar concealed space, or a floor, ceiling, wall or partition of combustible construction. In Canada, if passage through a wall, or partition of combustible construction is desired, the installation shall conform to CAN/CSA-B365, Installation Code for Solid-Fuel-Burning Appliances and Equipment.

- 13) Your Regency Woodstove is not to be connected to any air distribution duct.

Emissions from burning wood or gas could contain chemicals known to the State of California to cause cancer, birth defects or other reproductive harm.

## ROOM AIR IMPORTANT

For installation using room air for combustion, remove knockout from the pedestal, and/or from the bottom if using a heat shield.

Mobile home installations require the use of outside air.

On pedestal units there are two locations where outside air may be adapted to the unit. If using the bottom of the pedestal, do not remove knockout from the rear of the pedestal. Only remove rear knockout if outside air will be brought in from the rear.

On leg units outside air can only be brought in from the bottom of the heat shield.

**Note: Once the knockout is removed there are two tabs remaining. Bend both tabs out for ease of installation when attaching outside air.**

## MODULAR INSTALLATION OPTIONS

The following items are required when assembling your Regency Stove. F1100 and F3100 units - the Rear Heat Deflector is supplied with the stove, but if you choose not to use it you must use the Airmate instead.

Modular Part	Things to consider when choosing options:
F1100 & F3100 only: Airmate OR Rear Heat Deflector	Clearances are different. See the chart on pages 8 and 9. Generally you can get closer clearances with the airmate than with the rear heat deflector.
	Convection heat with Airmate vs. Radiant Heat with Rear Heat Deflector. The airmate pushes heat forward and into the room, the rear heat deflector deflects the heat upward. See installation instructions on page 10.
(all units) Pedestal OR Legs	There are no performance differences with either the pedestal or legs. It is primarily a personal preference. Legs can be either painted steel, painted cast, or gold plated cast.
	Leg installation requires the bottom shield. See installation instructions on page 11.

**OPTIONS: These can be installed at time of installation or added later:**

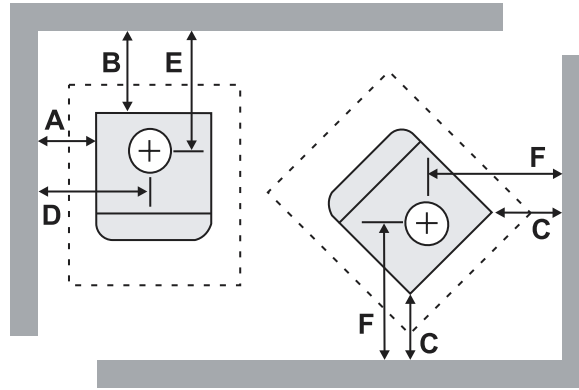
Modular Option	Things to consider when choosing options
Blower/Fan	Adding the blower will increase the area heated by the stove, it can move warm air beyond the room where the stove is installed. Installation instructions on page 16.
Ash Drawer Kit	Adding the Ash Drawer Kit makes cleaning ashes out of the stove easier and cleaner. Installation instructions on page 15.

# INSTALLATION

## MINIMUM CLEARANCE TO COMBUSTIBLE MATERIALS

Please read the section below carefully as clearances depend on whether the airmate or the rear heat deflector is installed on the stove.

Measurements "From Unit" are from the top plate of the stove to a side wall or to a corner, and from the rear heat shield to a back wall.



Residential Installation "C" Vent (Single Wall)							
Unit	From Unit		From Corner		From Flue Center-line		
	A	B	C	D	E	F	
Small F1100S	with Airmate	13"	11"	8"	25"	17.5"	20"
	with Rear Deflector	15"	10.5"	11"	27"	17"	23"
Large F3100L	with Airmate	18"	12"	8.5"	32"	18.5"	22"
	with Rear Deflector	20"	14"	10.5"	34"	20.5"	24"
Large S3100L Step Stove		18"	12"	8.5"	32"	18.5"	22"
Residential Close Clearance (To be installed with required pipe components)							
When the stove is installed as a close clearance residential unit, a listed double wall connector is required from the stove collar to the ceiling level.							
Unit	From Unit		From Corner		From Flue Center-line		
	A	B	C	D	E	F	
Small F1100S	with Airmate	9"	5"	3"	21"	11.5"	15"
	with Rear Deflector	13.5"	5"	5"	25.5"	11.5"	17"
Large F3100L	with Airmate	16"	9.5"	8.5"	30"	16"	22"
	with Rear Deflector	20"	12"	8.5"	34"	18.5"	22"
Large S3100L Step Stove		16"	9.5"	8.5"	30"	16"	22"
Mobile Home Close Clearance (To be installed with required pipe components)							
"C" Vent single wall pipe is not approved for Mobile Home installations. (Refer to Mobile Home Instructions.)							
Unit	From Unit		From Corner		From Flue Center-line		
	A	B	C	D	E	F	
Small F1100S	with Airmate	11"	6"	6"	23"	12.5"	18"
	with Rear Deflector	13"	5"	9"	25"	11.5"	21"
Large F3100L	with Airmate	18"	9.5"	10"	32"	16"	23.5"
	with Rear Deflector	20"	12"	10"	34"	18.5"	23.5"
Large S3100L Step Stove		18"	9.5"	10"	32"	16"	23.5"

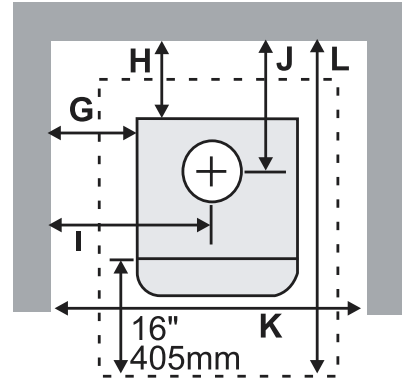


# INSTALLATION

## Minimum Alcove Clearance to Combustible Materials

The Regency Freestanding models have been alcove approved and must be installed with a listed double wall connector to the ceiling level.

**Note: Minimum alcove ceiling height - 84"**  
**Maximum depth of alcove - 36"**



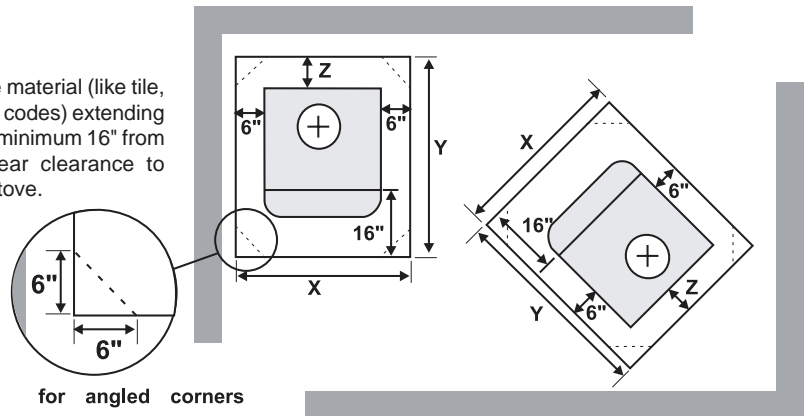
Unit	From Unit	From Flue Center-line		Min. Width	Min. Hearth to Rear Wall		
		G	H			I	J
Small F1100S	with Airmate	11"	7"	23"	13.5"	46"	39"
	with Rear Deflector	13"	5"	25"	11.5"	50"	37"
Large F3100L	with Airmate with Rear Deflector	16"	9.5" (not approved for Alcove)	30"	16"	60"	46.5"
Large S3100L Step Stove		16"	9.5"	30"	16"	60"	46.5"

## Floor Protection

A combustible floor must be protected by a non-combustible material (like tile, concrete board, or certified to UL-1618 or as defined by local codes) extending beneath the heater and a minimum of 6" from each side and minimum 16" from the front face of the stove and minimum 6" (or the rear clearance to combustibles whichever is smaller) from the rear of the stove.

### Minimum Overall Width (X) of Floor Protector for all installations:

Small Stove	F1100S	36"
Large Stove	F3100L	40"
Large Step Stove	S3100L	40"



for angled corners

**NOTE: In Canada, floor protection must extend 18" to the front and 8" to each side of the stove.**

Minimum Overall Depth (Y) of Floor Protector									
Unit		Residential "C" Vent		Residential Close Clearance		Mobile Home Close Clearance		Alcove	
		Y	Z	Y	Z	Y	Z	Y	Z
		Small F1100S	with Airmate with Rear Deflector	38"	6"	37"*	5"	38"	6"
		38"	6"	37"*	5"	37"*	5"	37"*	5"
Large F3100L	with Airmate with Rear Deflector	43"	6"	43"	6"	43"	6"	43"	6"
		43"	6"	43"	6"	43"	6"	n/a	n/a
Large S3100L Step Stove		43"	6"	43"	6"	43"	6"	43"	6"

\*The rear clearance to combustibles is less than 6", for corner installations the rear corners may be angled to take advantage of the closer clearances.

# INSTALLATION

## STOVE ASSEMBLY PRIOR TO INSTALLATION

All units require either the pedestal or 4 legs attached to the base. The F1100 and F3100 stoves require either the Airmate or Rear Heat Deflector on top of the stove. Clearances to combustible materials vary depending on whether the airmate or rear heat deflector is installed, so be sure to check the clearance information on pages 8 and 9.

### Airmate Assembly for F1100 & F3100

Small 850-105  
Large 850-305

- 1) The airmate sits on top of the stove with the slots in the sides fitting over the curved deflector on the rear stove top. See diagram 1. Discard the Rear Heat Deflector that is supplied with the unit, it is not required if the airmate is installed.
- 2) Center the airmate and push it forward to the front of the stove. The back of the airmate should be level with the back and sides of the rear heat shield. See diagrams 2 & 3.

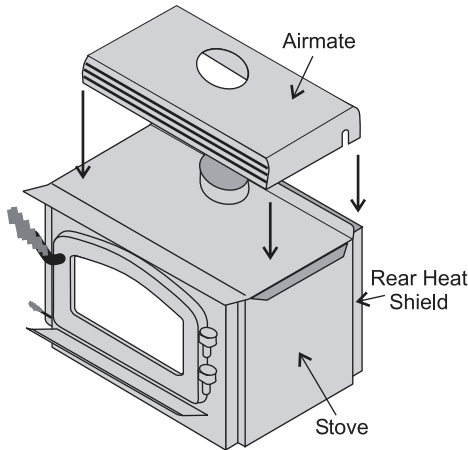


Diagram 1

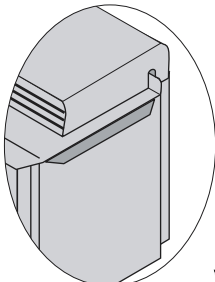


Diagram 2

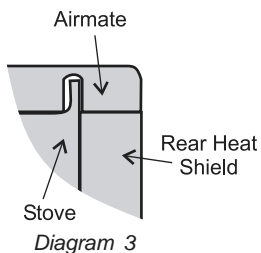


Diagram 3

### Rear Heat Deflector Assembly for F1100 & F3100

Small 815-555  
Large 815-556

The rear heat deflector is supplied with the stove and must be installed unless the optional airmate has been selected. It stops the heat radiated from the flue collar from overheating the rear wall. The rear heat deflector is installed on top of the rear heat shield, as shown in diagram 4.

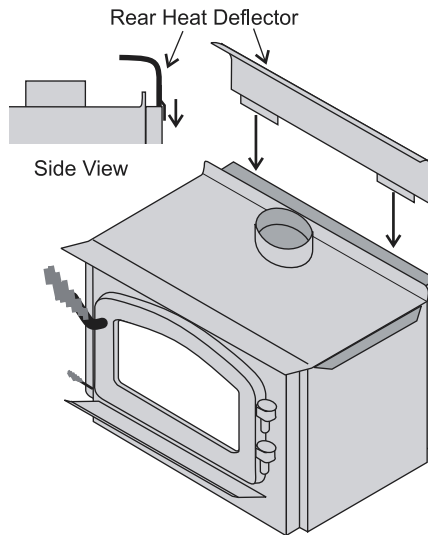
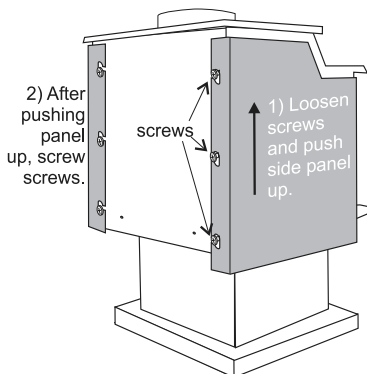


Diagram 4

### S3100L Side Shield Adjustment

The left and right side shields are lowered for shipping and handling. It allows for a handhold on the top of the stove. Before placing in the Step Stove in its final position, the side shields must be raised.

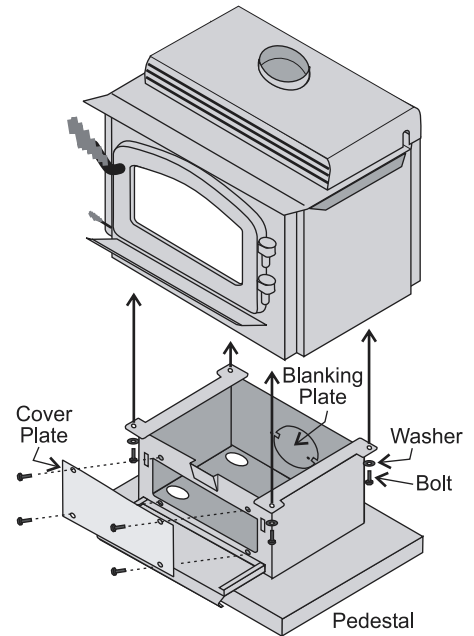
Loosen the screws on the rear on the stove (3 per side), slide the side panel up as far as possible and then secure by tightening the screws.



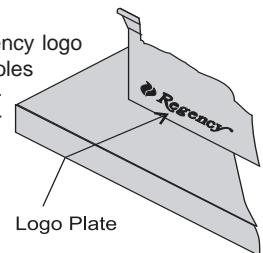
### Pedestal Assembly

Small 850-115  
Large 850-315

- 1) For easier assembly, tip the stove on its back (onto a soft surface to prevent scratching).  
*Hint: If you have chosen the Ash Drawer option, remove the ash dump cover plates before attaching the pedestal. See page 17 "Ashdrawer Kit Installation".*
- 2) Remove the blanking plate if  
a) you are **not** installing outside combustion air or  
b) outside air is to be brought in from the rear of the stove.
- 3) Unscrew the 4 bolts in the under-side of the stove. Align the holes in the corners of the pedestal top with the corresponding holes in the base of the stove. Fasten using a bolt and washer for each corner.



- 4) Push the Regency logo into the two holes in the front bottom left corner of the pedestal cover plate.



**Note: Any paint touch up should be done prior to placing logo on pedestal.**

- 5) If not using ash drawer, then cover plate must be installed. If using ash drawer, then disregard cover plate.

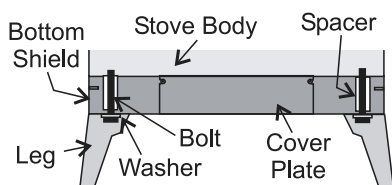
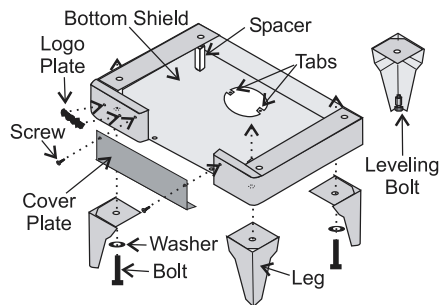
## Leg and Bottom Shield Assembly

<b>Bottom Shield</b>		
Small	850-121	
Large	850-321	

<b>Legs (set of 4)</b>		
Steel - Painted Black	850-125	
Cast - Painted Black	850-126	
Cast - Gold Plated	850-127	

The instructions below apply to the steel leg, painted cast leg and the gold plated cast leg. It will be easier to attach the legs to the stove if the stove is tipped on its back (preferably on a soft surface to prevent scratching). Ensure to be extremely careful when tipping stove.

- 1) Remove the 4 bolts from underside of the base of the pedestal and discard. Also remove cover plate and put to the side.
- 2) Place spacers in the 4 corners of the bottom heat shield and align with holes. If spacer does not fit, adjust flange with plyer.
- 3) Line up the heat shield with the bottom of the unit.
- 4) Start threading the bolt and washer (supplied with the bottom shield) for about 1/4 of the way through the leg with the washers being underneath the legs. Ensure that the legs are properly aligned with heat shield and tighten the bolts.



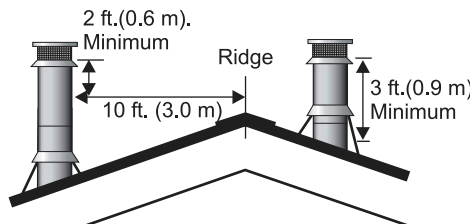
- 5) Level the stove by adjusting the levelling bolts in the bottom of each leg.
- 6) Reinstall cover plate.
- 7) Install logo plate onto heat shield by placing in 2 holes as shown in diagram.

If you are installing outside combustion air, bend the tabs out 90 degrees. Pipe fresh air into the bottom shield by using a minimum 4" duct pipe with a mesh grill at the outside termination. Attach the pipe to the 2 tabs with screws.

## STEP BY STEP CHIMNEY AND CONNECTOR INSTALLATION:

**Note:** These are a generic set of chimney installation instructions. Always follow the manufacturers own instructions explicitly. Check Table 1 on page 14 for the Minimum Recommended Flue Heights.

- 1) With your location already established, cut and frame the roof hole. It is recommended that no ceiling support member be cut for chimney and support box installation. If it is necessary to cut them, the members must be made structurally sound.
- 2) Install radiant shield and support from above.
- 3) Stack the insulated pipe onto your finish support to a minimum height of 3 feet above the roof penetration, or 2 feet above any point within 10 feet measured horizontally. There must be at least 3 feet of chimney above the roof level.

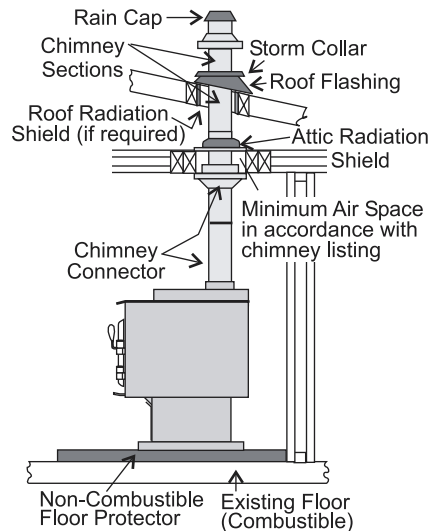


**Note:** Increasing the chimney height above this minimum level will sometimes help your unit to "breathe" better by allowing a greater draft to be created. This greater draft can decrease problems such as, difficult start-ups, back-smoking when door is open, and dirty glass. It might be sufficient to initially try with the minimum required height, and then if problems do arise add additional height at a later date.

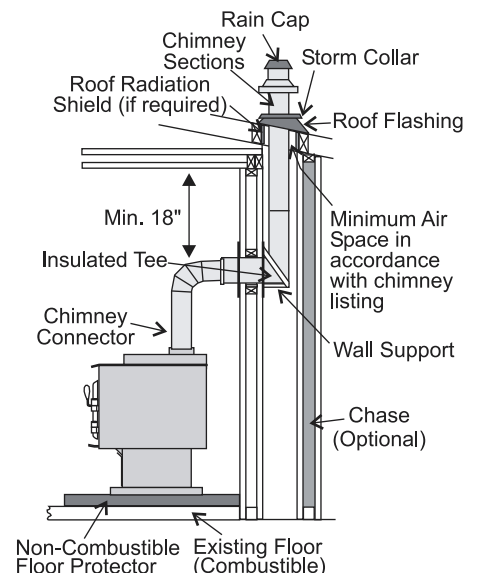
- 4) Slide the roof flashing over your chimney and seal the flashing to the roof with roofing compound. Secure the flashing to your roof with nails or screws.
- 5) Place the storm collar over the flashing, sealing the joints with a silicone caulking.
- 6) Fasten the raincap with spark screens (if required) to the top of your chimney.
- 7) For optimum efficiency when installing into a masonry chimney, size accordingly, i.e. the 6" flue dia. is 28.28 sq.in.

- 8) To complete your chimney installation, install the double wall connector pipe from the stove's flue collar to the chimney support device.
- 9) If you are using a horizontal connector, the chimney connector should be as high as possible while still maintaining the 18" minimum distance from the horizontal connector to the ceiling.
- 10) **NOTE: Residential Close Clearance and Alcove installations require a listed double wall connector from the stove collar to the ceiling level.**

The diagrams below illustrate one way to install your unit into a standard ceiling or with a horizontal connector. Check with your dealer or installer for information on other options available to you.



Standard Ceiling Installation



Horizontal Installation

# INSTALLATION

**TABLE 1**

MINIMUM RECOMMENDED FLUE HEIGHTS IN FEET (Measured from the top of the unit)							
ELEVATION (FT) ABOVE SEA LEVEL	# OF ELBOWS						
	0	2 x 15°	4 x 15°	2 x 30°	4 x 30°	2 x 45°	4 x 45°
0-1000	12.0	13.0	14.0	15.0	18.0	16.0	20.0
1000-2000	12.5	13.5	14.5	15.5	19.0	16.5	21.0
2000-3000	13.0	14.0	15.0	16.0	19.5	17.0	21.5
3000-4000	13.5	14.5	15.5	17.0	20.0	18.0	22.5
4000-5000	14.0	15.0	16.0	17.5	21.0	18.5	23.0
5000-6000	14.5	15.5	17.0	18.0	21.5	19.0	24.0
6000-7000	15.0	16.0	17.5	18.5	22.5	20.0	25.0
7000-8000	15.5	16.5	18.0	19.0	23.0	20.5	25.5
8000-9000	16.0	17.0	18.5	20.0	24.0	21.0	26.5
9000-10000	16.5	17.5	19.0	20.5	24.5	22.0	27.0

**NOTE: No more than two offsets (four elbows) allowed. Two 45° elbows equal one 90° elbow.**

## RECOMMENDED HEIGHTS FOR WOODSTOVE FLUE

Simple rules on draft. See Table 1.

- 1) At sea level minimum height is 12' straight.
- 2) Add the following vertical height to compensate for:
  - 45 deg. elbow = 1 ft.
  - 90 deg. elbow = 2 ft.
  - "T" = 3 ft.
  - Each foot of horizontal run = 2 ft.
- 3) Add 4% overall for each 1000' above sea level.

**Example: a)**

1-1/2 ft. of horizontal run = 3 ft.  
 one "T" = 3 ft.  
 Total Addition (at sea level) = 6 ft.

**Example: b)**

One 90 deg. elbow = 2 ft.  
 2 ft. of horizontal run = 4 ft.  
 one "T" = 3 ft.  
 Total Addition (at sea level) = 9 ft.

Elevation	Example a)	Example b)
0'	18'	21'
1000'	18.72'	21.84'
2000'	19.44'	22.68'
5000'	21.60'	25.20'
8000'	23.76'	27.72'

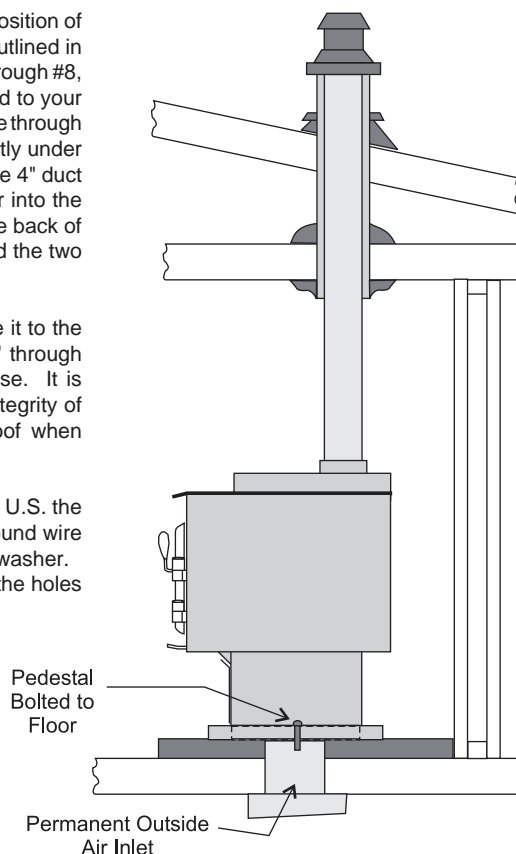
## MOBILE HOME INSTALLATION

Once you have properly marked the position of your unit and the floor protection as outlined in the Residential Installation items #1 through #8, a supply of fresh air has to be supplied to your unit. Cut a minimum 4 inch diameter hole through your floor protector and the floor directly under your pedestal base to the outside. Use 4" duct pipe with a mesh grill to pipe fresh air into the pedestal area. Block off the hole in the back of the pedestal with the square plate and the two 1/2" screws provided.

Place your unit in position and secure it to the floor using two lag bolts 3/8" x 3-1/2" through the two holes inside the pedestal base. It is important to maintain the structural integrity of the Mobile Home floor, walls and roof when installing your unit.

For Mobile Home units installed in the U.S. the unit must be grounded using a #8 ground wire with approved termination and star washer.

- 4) Install the two front air tubes into the holes



## LISTED COMPONENTS FOR MOBILE HOME INSTALLATION

The Regency Small and Large Freestanding pedestal units are approved for installation in a Mobile Home if one of the following pipe systems is used.

### U.S. Installation\*

#### **METALBESTOS SSII**

Qty.	Part #	Description
1	6DS-VK	Connector Kit
1	6TMH	Shield/Support
1	6TAF-6	Flashing
1	6T-36	Chimney Length
1	6T-18	Chimney Length
1	6T-CT	Rain Cap

#### **PRO-JET 3103**

Qty.	Part #	Description
1	PV06-TK	Connector
1	CSB	Shield/Support
1	RRS	Radiation Shield
1	LFR03	Flashing
1	SL3	Chimney Length
1	SL1	Chimney Length
1	RCSA	Rain Cap

#### **SECURITY ASHT**

Qty.	Part #	Description
1	DL42A-6	Connector Kit
1	6SS	Shield/Support
1	6FAMH	Flashing
1	6L3	Chimney Length
1	6L1	Chimney Length
1	CPE	Rain Cap

#### **SECURITY S2100**

Qty.	Part #	Description
1	DL42A-6	Connector Kit
1	6XSF	Support
1	6XFA	Flashing
1	6XL3	Chimney Length
1	6XL18	Chimney Length
1	6XCPE	Rain Cap

#### **METAL-FAB TEMP/GUARD 2100**

Qty.	Part #	Description
1	6DWBK	Connector
1	6TGRS	Roof Support
1	6TGG36	Chimney Length
1	6TGG12	Chimney Length
1	6TGF	Flashing
1	6TGC	Rain Cap

### **AMERI-TECHS**

Qty.	Part #	Description
1	6DCC	Connector
1	6HSRS-12	Roof Support (6PLRS-12-BK)
1	6F	Flashing
1	6HS-36	Chimney Length
1	6HS-18	Chimney Length
1	6HS-RCS	Rain Cap (6PL-MPC)

### **SIMPSON DURA-PLUS**

Qty.	Part #	Description
1	6DVL8693	Connector Kit
1	6DP-MH9096	Mobile Home Kit

### **ICC EXCEL 2100**

Qty.	Part #	Description
1	6CL48	48" Chimney length (also in 12", 18", 24" lengths.
1	6RC	Rain Cap
1	6RCS	Spark Screen (for rain cap)
1	6RDS/SQS	Round/Square support box
1	6VF	Flashing
1	6UBA	"Ultrablack" Close Clearance Connector

### Canadian Installations\*

#### **SECURITY S2100 (see above for details)**

#### **ICC EXCEL 2100 (see above for details)**

\*The use of alternate pitch flashings, support box extensions, additional chimney lengths, and additional chimney bracing, may be used on each of the previously listed systems. These parts though must be from the same system as listed, and must be a similar and/or complimentary part.

**CAUTION: At no time use unlabelled parts, or substitute parts made for another chimney system.**

Install as per chimney manufacturer's installation instructions.

# INSTALLATION

## BRICK FLUE BAFFLE & SECONDARY AIR TUBE INSTALLATION

The flue baffle system located in the upper area of the firebox is removable to make cleaning your chimney system easier. The brick baffles must be installed prior to your first fire. **Smoke spillage and draft problems may occur if the baffles are improperly positioned.** Check the position of the brick baffles on a regular basis as they can be dislodged if too much fuel is forced into the firebox.

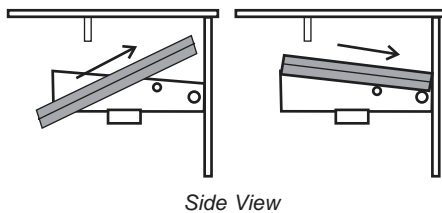
The Large Stoves F3100L and S3100L are shipped with two of the secondary air tubes loose inside the firebox. They need to be installed after the brick baffles are installed. Follow the directions below.

### Large Stoves F3100L and S3100L

The unit arrives with the first two air tubes (from the front) and the 2 baffle bricks on the floor of the firebox. The baffle bricks are positioned first and then the air tubes are installed.

**NOTE: If the first 2 airtubes are already installed in the stove, they must be removed in order to install the Brick Baffles.**

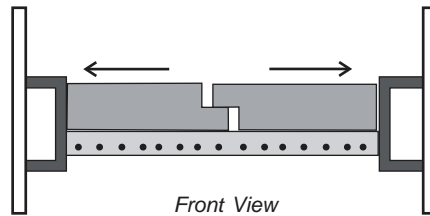
- 1) Slide the left baffle brick over the two rear air tubes and then push it all the way to the left side of the firebox.



- 2) Tilt the first Baffle Brick down and then slide the 2nd Baffle Brick up and back. Reposition both baffle bricks flat on the air tubes.

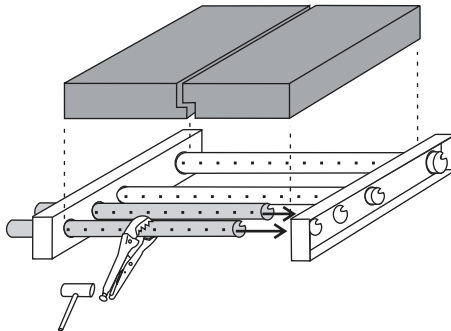


- 3) **Important: push both baffle bricks so they are tight against the side walls.**



on the side channels. The notch goes on the right hand side with the air holes facing forward toward the door opening. If the tube will not slide in easily, simply use a pair of vise grips or pliers and tap it into place with a hammer. A tighter fit will ensure the tube will not move when the unit is burning.

**Note: When cleaning the chimney re-**

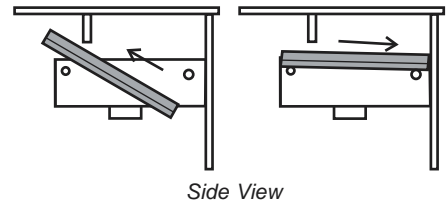


**verse the above procedures, removing the air tube and baffle bricks and then replace them when cleaning is completed.**

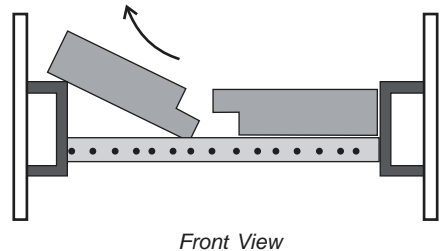
### Small Stoves F1100S

- 1) If the two air tubes are installed continue on to Step 2), if not, follow the instructions below. Install the air tube into the holes in the side channels. The notch goes on the right hand side with the air holes facing toward the door. Slide the tube into the left hand side, as far as possible and then bring it back into the hole on the right hand side until it locks into position. If the tube will not slide in easily simply use a pair of vise grips or pliers and tap it into place with a hammer. A tighter fit will ensure the tube will not move when the unit is burning. See the diagram for the large air tube installation (page 14), though there are only two air tubes in the small units.

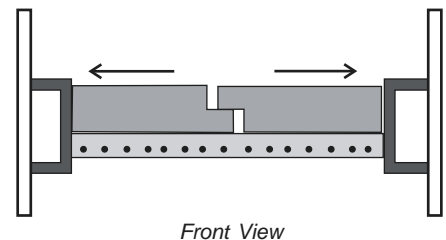
- 2) Slide the left baffle brick over the front air tube and then slide it back over the rear air tube.



- 3) Tilt the left baffle brick up on top of the side channel and it will leave enough room to position the right baffle brick in the same manner as Step 1) above. Then reposition the left baffle brick flat on the air tube.



- 4) **Important: push both baffle bricks so they are tight against the side walls.**

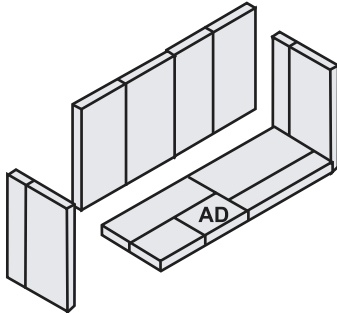


**Note: When getting the chimney cleaned, remove the baffle bricks for access to the flue, then replace them when cleaning is completed.**

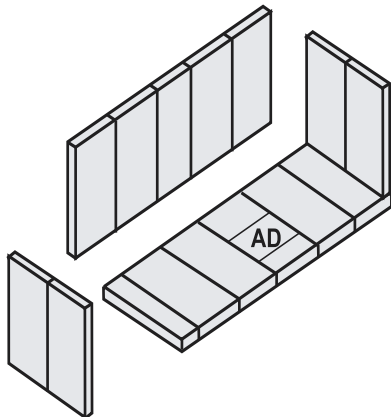
## BRICK INSTALLATION

Firebrick is included to extend the life of your stove and radiate heat more evenly. Check to see that all firebricks are in their correct positions and have not become misaligned during shipping.

The "AD" brick in the drawings above is the brick covering the Ash Dump hole that is used when the Ash Drawer Kit is installed. See page 15 for more information.



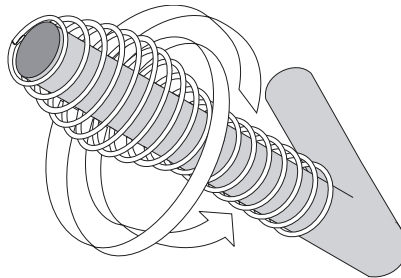
Freestanding - Small F1100



Freestanding - Large F3100

## DOOR HANDLE

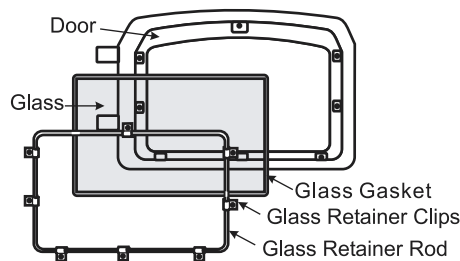
Attach spring handle by rotating counter clockwise onto rod. Ensure that the rod fits into the entire length of the spring handle. See Diagram below.



## GLASS INSTALLATION

Your Regency stove is supplied with 5 mm Neoceram ceramic glass that will withstand the highest heat that your unit will produce. In the event that you break your glass by impact, purchase your replacement from an authorized Regency dealer only.

Remove the door from the stove and remove the glass retainer. Position the glass in the door, make sure that the glass gasketing will properly seal your unit, and replace the retainer, it should rest on the gasket not the glass. Tighten securely, but do not wrench down on the glass as this may cause the glass to break.

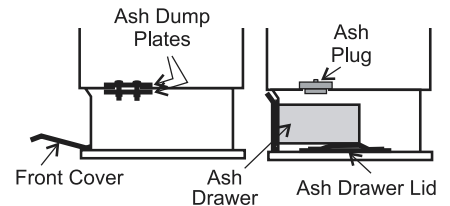


## OPTIONAL ACCESSORIES

The pieces listed below can be purchased and installed during the initial installation or added on later.

### Pedestal Ash Drawer Kit (850-100)

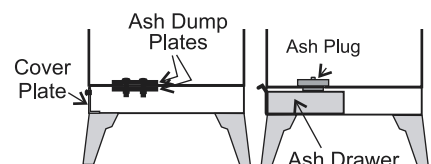
- 1) Remove the bricks from the floor of the firebox.
- 2) If using ashdrawer, discard cover plate.
- 3) Remove the ash dump cover plates (one inside the firebox and one on the underside of the firebox) by removing the two nuts and bolts holding the 2 plates together from inside the firebox.
- 4) Push the ash plug into the hole inside the firebox and replace all the bricks except for the brick over the ash plug. See brick diagrams.
- 5) Place the ash drawer lid inside the pedestal, and the ash plug tool beside the lid, then slide the ash drawer inside so it sits on top of the lid.



See page 20 for Ash Drawer Operating instructions.

### Bottom Shield Ash Drawer Kit (850-101)

- 1) Remove the bricks from the floor of the firebox.
- 2) Remove and discard the cover plate by removing the two screws on the front of the Bottom Shield.
- 3) Remove the ash dump cover plates (one inside the firebox and one on the underside of the firebox) by removing the two nuts and bolts holding the 2 plates together from inside the firebox.
- 4) Push the ash plug into the hole inside the firebox and replace all the bricks except for the brick over the ash plug. See brick diagrams.
- 5) Place the ash plug tool beside the lid, then slide the ash drawer inside.

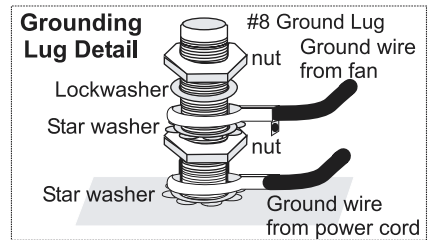
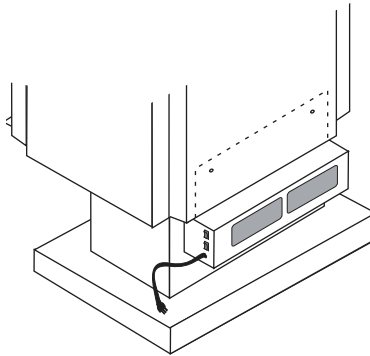


See page 18 for Ash Drawer Operating instructions.

# INSTALLATION

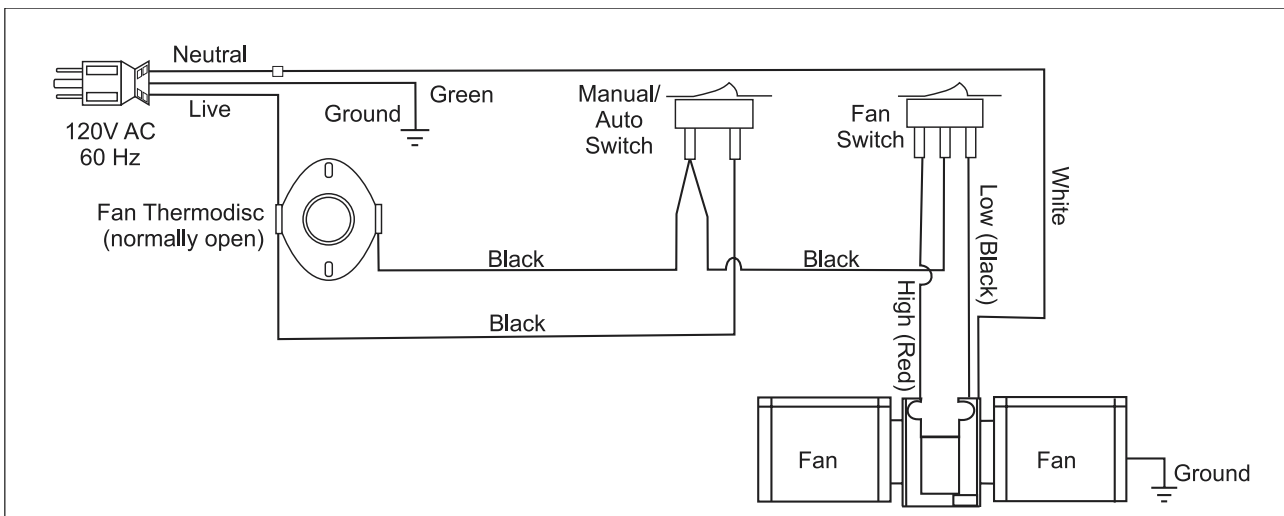
## Blower/Fan (846-515)

- 1) Remove the two screws from the top of the fan housing.
- 2) Slide the fan up into the rear heat shield.
- 3) After aligning holes, secure the fan to the rear heat shield using the two screws removed earlier.



**Note:** The connection cord should not be in contact with any hot surfaces.

Read the operating instructions for the fan before using. See Page 17.



*Blower/Fan Wiring Diagram*

**WARNING: Electrical Grounding Instructions**  
 This appliance is equipped with a three pronged (grounding) plug for your protection against shock hazard and should be plugged directly into a properly grounded three-prong receptacle. Do not cut or remove the grounding prong from this plug.

**CAUTION:** Label all wires prior to disconnection when servicing controls. Wiring errors can cause improper and dangerous operation.



# OPERATING INSTRUCTIONS

## OPERATING INSTRUCTIONS

With your unit now correctly installed and safety inspected by your local authority, you are now ready to start a fire. Before establishing your first fire, it is important that you fully understand the operation of your draft control.

### DRAFT CONTROL

Both the primary and air wash drafts are controlled by the control rod located on the left side of the unit (when facing the unit). To increase your draft - pull open, and to decrease - push closed. All units have a secondary draft system that continually allows combustion air to the induction ports at the top of the firebox, just below the flue baffle.

**Important:** If you are using room air for combustion, make sure that the back cover plate at the rear of the pedestal is not installed. The cover plate must be installed on the unit if your stove is located in a mobile home or if using outside air.



**WARNING:** To build a fire in ignorance or to disregard the information contained in this section can cause serious permanent damage to the unit and void your warranty!!

### FIRST FIRE

When your installation is completed and inspected you are ready for your first fire.

- 1) Open control fully.
- 2) Open firebox door and build a small fire using paper and dry kindling. Secure door on the firebox and wait a few minutes for a good updraft in the flue to establish the fire. (Leaving the door slightly open will help your fire start more rapidly.)

**CAUTION:** Never leave unit unattended if door is left open. This procedure is for fire start-up only, as unit may overheat if door is left open for too long.

- 3) With the draft still in the fully open position add two or three seasoned logs to your fire. Form a trench in the ash bed to allow air to reach the rear of the firebox prior to closing the door.

- 4) After about 15 to 20 minutes, when your wood has begun to burn strongly, adjust your draft control down to keep the fire at a moderate level.

**WARNING:** Never build a roaring fire in a cold stove. Always warm your stove up slowly!

- 5) Once a bed of coals has been established, you may adjust the draft control to a low setting to operate the unit at its most efficient mode.
- 6) During the first few fires, keep the combustion rate at a moderate level and avoid a large fire. Only after 5 or 6 such fires can you operate the stove at its maximum setting, and only after the metal has been warmed.
- 7) For the first few days, the stove will give off an odour from the paint. This is to be expected as the high temperature paint becomes seasoned. Windows and/or doors should be left open to provide adequate ventilation while this temporary condition exists. Burning the stove at a very high temperature the first few times may damage the paint. Burn fires at a moderate level the first few days.

- 8) Do not place anything on the stove top during the curing process. This may result in damage to your paint finish.

- 9) During the first few days it may be more difficult to start the fire. As you dry out your firebrick and your masonry flue, your draft will increase.

- 10) For those units installed at higher elevations or into sub-standard masonry fireplaces, drafting problems may occur. Consult an experienced dealer or mason on methods of increasing your draft.

- 11) Some cracking and popping noises may be experienced during the heating up process. These noises will be minimal when your unit reaches temperature.

- 12) Before opening your door to reload, open draft fully for approximately 10 to 15 seconds until fire has been re-established. This will minimize any smoking.

- 13) All fuel burning appliances consume oxygen during operation. It is important that you supply a source of fresh air to your unit while burning. A slightly opened window is sufficient for the purpose. If you also have a fireplace in your home, a downdraft may be created by your Regency Stove causing a draft down your chimney. If this occurs, slightly open a window near your unit.

**CAUTION:** If the body of your unit, flue baffle or any part of the chimney connector starts to glow, you are overfiring. Stop loading fuel immediately and close the draft control until the glow has completely subsided.

- 14) Green or wet wood is not recommended for your unit. If you must add wet or green fuel, open the draft control fully until all moisture has been dispersed by the intense fire. Once all moisture has been removed, the draft control may be adjusted to maintain the fire.

- 15) If you have been burning your stove on a low draft, use caution when opening the door. After opening the damper, open the door a crack, and allow the fire to adjust before fully opening the door.

- 16) The controls of your unit or the air supply passages should not be altered to increase firing for any reason.

- 17) If you burn the unit too slowly or at too low a setting your unit will not be operating as efficiently as it can. An easy rule of thumb says that if your glass is clean, then your flue is clean and your exhaust is clean. Burn the stove hot enough to keep your glass clean and you won't need to clean your flue as often.

### FAN OPERATION

#### Automatic

To operate the fan automatically, push the bottom switch on the side of the fan housing to "AUTO" and the top switch to either "HIGH" or "LOW" for fan speed.

This will allow the fan to turn on as the stove has come up to operating temperature. It will also shut the fan system off after the fire has gone out and the unit cooled to below a useful heat output range.

#### Manual

To manually operate the fan system push the bottom switch to "MAN" and the top switch to either "HIGH" or "LOW". This will bypass the sensing device and allow full control of the fan.

Switching from "AUTO" to "MAN" or "HIGH" to "LOW" may be done anytime.

# OPERATING INSTRUCTIONS

## ASH DISPOSAL

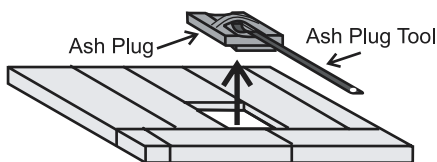
During constant use, ashes should be removed every few days. The Ash Drawer option features a convenient ash dump for easy removal of ash, see "Modular Options" on page 7.

### Safety Precautions

- 1) Do not allow ashes to build up to the loading doors! Only remove ashes when the fire has died down. Even then, expect to find a few hot embers.
- 2) Please take care to prevent the build-up of ash around the start-up air housing located inside the stove box, under the loading door lip.
- 3) Never start a fire if the ash plug and ash drawer are not in place. This will cause overfiring which can cause excessive warping of the stove. Evidence of overfiring can void the warranty on your stove.
- 4) The firebricks are brittle and can be damaged if the plug is replaced carelessly or pieces that are too large are forced through the hole.

### Ash Drawer Operating Guideline

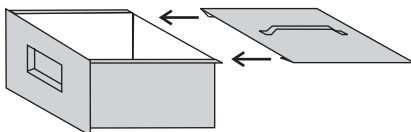
- 1) Only clean ashes out of the stove when the unit has cooled down. Remove the plug by lifting on the handle using the tool provided. The plug may still be warm, use caution. Push the ashes down the hole into the ash drawer, the large pieces can be left in the firebox and burned during the next fire or removed through the door opening.



- 2) Always leave 1/2 to 1 inch of ash in the bottom of the firebox. This helps in easier starting and a more uniform burn of your fire. Replace ash plug when ashes have been removed.

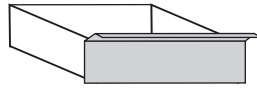
### 3) Pedestal Units:

To remove the drawer, lift slightly and slide it out. When the drawer is completely out, slide the cover plate over the ash drawer and carry away.



### Bottom Shield (with Legs) Units:

To remove the drawer, lift slightly and slide it out, and carry it away.



- 4) When emptying the ash drawer, make sure the ashes are cold. Ashes should be placed in a metal container with a tight fitting lid. The closed container of ashes should be placed on a non-combustible floor or on the ground, well away from all combustible materials, pending final disposal. If the ashes are disposed of by burial in soil or otherwise locally dispersed, they should be retained in the closed container until all cinders have thoroughly cooled. Other waste should not be placed in the ash container.
- 5) Before putting the ash drawer back into place, make sure the ash plug is back in place.

Pedestal Units: make sure the cover lid is off.

## SAFETY GUIDELINES AND WARNINGS

- 1) Never use gasoline, gasoline type lantern fuels, kerosene, charcoal lighter fuel, or similar liquids to start or 'freshen up' a fire in your heater. Keep all such liquids well away from the heater while it is in use.
- 2) Keep the door closed during operation and maintain all seals in good condition.
- 3) Do not burn any quantities of paper, garbage, and never burn flammable fluids such as gasoline, naphtha or engine oil in your stove.
- 4) If you have smoke detectors, prevent smoke spillage as this may set off a false alarm.
- 5) Do not overfire heater. If the chimney connector, flue baffle or the stove top begin to glow, you are overfiring. Stop adding fuel and close the draft control. Overfiring can cause extensive damage to your stove including warpage and premature steel corrosion. Overfiring will void your warranty.
- 6) Do not permit creosote or soot build-up in the chimney system. Check and clean chimney at regular intervals. Failure to do so can result in a serious chimney fire.
- 7) Your Regency stove can be very hot. You may be seriously burned if you touch the stove while it is operating, keep children,

clothing and furniture away. Warn children of the burn hazard.

- 8) The stove consumes air while operating, provide adequate ventilation with an air duct or open a window while the stove is in use.
- 9) Do not connect this unit to a chimney flue serving another appliance.
- 10) Do not use grates or andirons or other methods for supporting fuel. Burn directly on the bricks.
- 11) Open the draft control fully for 10 to 15 seconds prior to slowly opening the door when refuelling the fire.
- 12) Do not connect your unit to any air distribution duct.
- 13) Your woodstove should burn dry, standard firewood only. The use of cut lumber, plywood, "mill ends", etc. is discouraged as this fuel can easily overheat your woodstove. Evidence of excessive overheating will void your warranty. As well, a large portion of sawmill waste is chemically treated lumber, which is illegal to burn in many areas. Salt drift wood and chemically treated fire logs also must not be burned in your woodstoves.
- 14) Do not store any fuel closer than 2 feet from your unit. Do not place wood, paper, furniture, drapes or other combustibles near the appliance.
- 15) **WARNING: Do not operate without either the Ash Plug properly seated or the Ash Dump Plates screwed in place, excessive temperatures will result.**
- 16) Do not operate with broken glazing.

## MAINTENANCE

It is very important to carefully maintain your fireplace stove, including burning seasoned wood and maintaining a clean stove and chimney system. Have the chimney cleaned before the burning season and as necessary during the season, as creosote deposits may build up rapidly. Moving parts of your stove require no lubrication.

### CREOSOTE

When wood is burned slowly, it produces tar and other organic vapours, which when combined with moisture, form creosote. The creosote vapours condense in the relatively cool chimney flue of a slow burning fire. As a result, creosote residue accumulates on the flue lining. When ignited, this creosote can result in an extremely hot fire.

**WARNING:** Things to remember in case of a chimney fire:

1. Close all draft and damper controls.
2. **CALL THE FIRE DEPARTMENT.**

#### Ways to Prevent and Keep Unit Free of Creosote

- 1) Burn stove with the draft control wide open for about 10-15 minutes every morning during burning season.
- 2) Burn stove with draft control wide open for about 10 - 15 minutes every time you apply fresh wood. This allows the wood to achieve the charcoal stage faster and burns up any unburned gas vapours which might otherwise be deposited within the system.
- 3) **Only burn seasoned wood!** Avoid burning wet or green wood. Seasoned wood has been dried at least one year.
- 4) A small hot fire is preferable to a large smouldering one that can deposit creosote within the system.
- 5) Check the chimney at least twice a month during the burning season for creosote build-up.
- 6) Have chimney system and unit cleaned by competent chimney sweeps twice a year during the first year of use and at least once a year thereafter or when a significant layer of creosote has accumulated (3 mm/ 1/8" or more) it should be removed to reduce the risk of a chimney fire.

## MAINTENANCE OF GOLD-PLATED DOORS

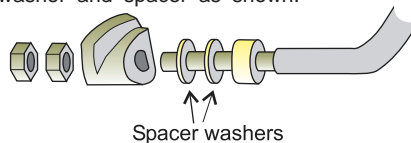
The gold electroplated finish on the door requires little maintenance, and need only be cleaned with a damp cloth. **DO NOT** use abrasive materials or chemical cleaners, as they may harm the finish and void the warranty.

### DOOR GASKET

If the door gasket requires replacement 7/8" diameter material must be used. Regency uses AMATEX # 10-863KR 7/8" dia. gasket. A proper high temperature gasket adhesive is required. See your Regency Dealer.

### LATCH ADJUSTMENT

The door latch may require adjustment as the door gasket material compresses after a few fires. Removal of the spacer washer, shown in the diagram below, will allow the latch to be moved closer to the door frame, causing a tighter seal. Remove and replace the nuts, washer and spacer as shown.



## GLASS MAINTENANCE

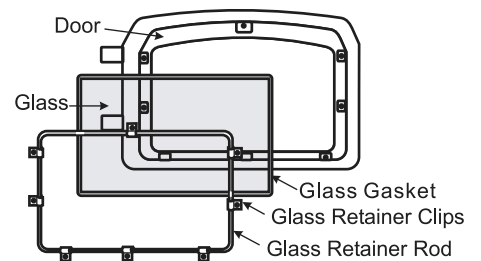
Your Regency stove is supplied with 5 mm Neoceram ceramic glass that will withstand the highest heat that your unit will produce. In the event that you break your glass by impact, purchase your replacement from an authorized Regency dealer only, and follow our step-by-step instructions for replacement.

Allow the stove to cool down before cleaning the glass, do not clean the glass when it is hot. Do not use abrasive cleaners.

### Glass Replacement

Allow the stove to cool before removing or replacing glass. Remove the door from the stove and remove the glass retainer. Use caution when removing broken glass to avoid injury. When placing the replacement glass in the door, make sure that the glass gasketing will properly seal your unit. Replace the retainer, it should rest on the gasket not the glass, and tighten securely, but do not wrench down on the glass as this may cause breakage.

Do not use substitute materials. If your glass does break, do not continue to use your unit until it has been replaced.

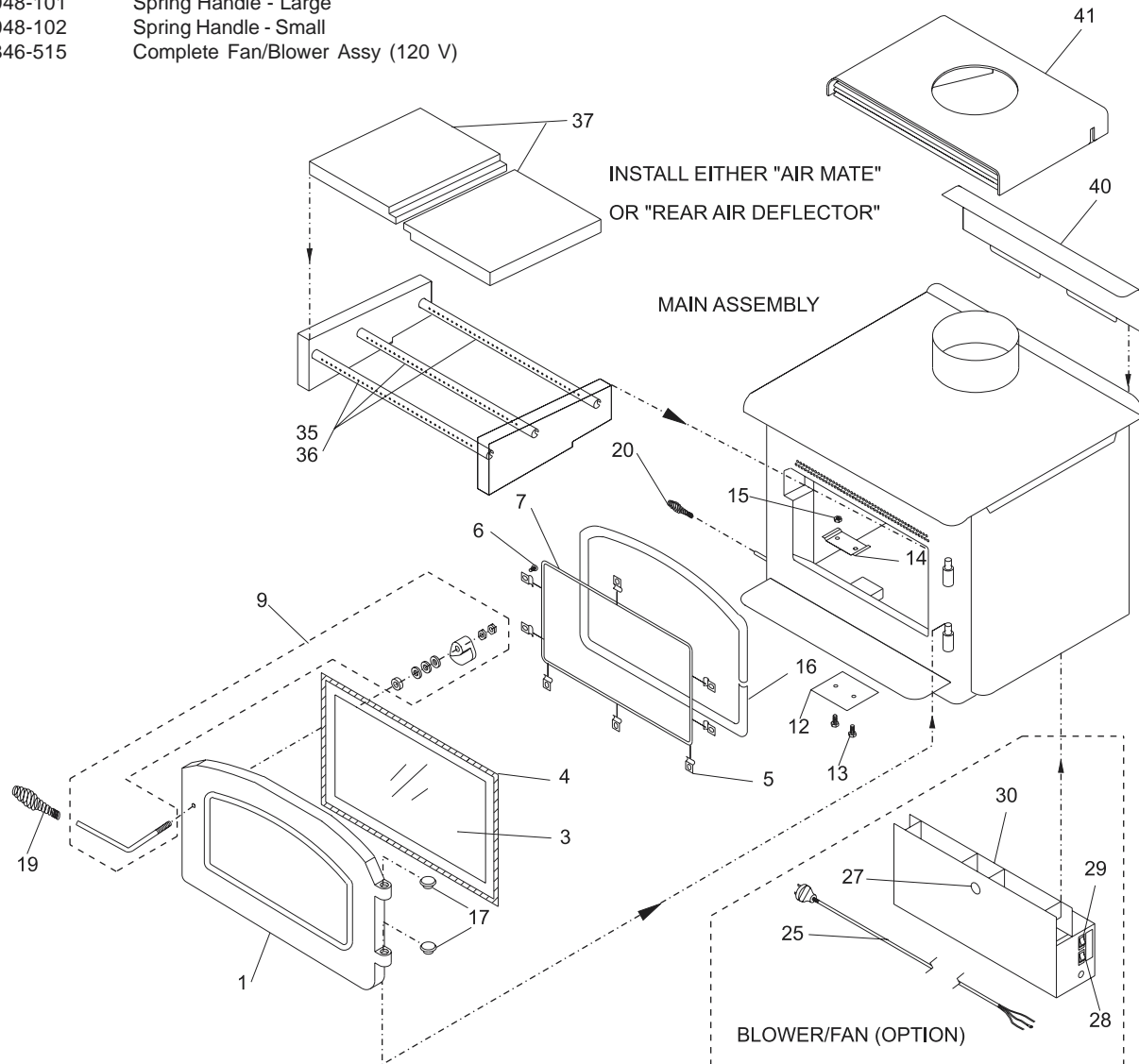


# PARTS LIST

## F1100 & F3100 STOVE MAIN ASSEMBLY

Part #	Description	Part #	Description
1)	846-913 Door Assy-Sm/Med Gold F1100 (no glass)	25)	910-684 Power Cord (120 V)
	846-915 Door Assy-Sm/Med Black F1100 (no glass)	27)	910-142 Thermodisc Fan AutoON/OFF
	846-910 Door Assy-Large Gold F3100 (no glass)	28)	910-138 Manual/Auto Switch (2-way)
	846-916 Door Assy-Large Black F3100 (no glass)	29)	910-140 Fan Speed Switch HI/OFF/LOW (3-way)
3)	846-302 Glass - Replacement - Small/Medium F1100	30)	910-157/P Fan/Blower Motor (120 V)
	846-304 Glass - Replacement - Large F3100	35)	063-954 Air Tube - 1" F3100 (Qty:1)
4)	936-243 7/8" Adhesive Tape Gasket		074-954 Air Tube - 1" F1100 (Qty: 1)
5)	846-920 Glass Retainer Clips (8/set)	36)	033-953 Air Tube - 3/4" F1100 (Qty: 1)
6)	* Screw - 1/4 - 20 x 3/8"		063-953 Air Tube - 3/4" F3100 (Qty: 3)
7)	948-170/P Small Glass Retainer F1100	37)	073-955 Baffle (set) F1100
	948-172/P Large Glass Retainer F3100		063-955 Baffle (set) F3100
9)	846-973 Door Handle Assembly	40)	815-557 Rear Air Deflector- F1100
12)	820-375 Ash Hole Cover Plate		815-558 Rear Air Deflector - F3100
13)	* Bolt 1/4 - 20 x 1/2 Hex Head	41)	850-105 Airmate - Sm/Med. F1100
14)	820-376 Retainer Plate - Ash Dump - Top		850-305 Airmate - Large F3100
15)	* Nut - 1/4 - 20 Hex		
16)	846-570 7/8" Door Gasket Repair Kit	908-288a	Manual
17)	846-918 Hinge Cap - Gold (2/set)		
19)	948-101 Spring Handle - Large		
20)	948-102 Spring Handle - Small		
	846-515 Complete Fan/Blower Assy (120 V)		

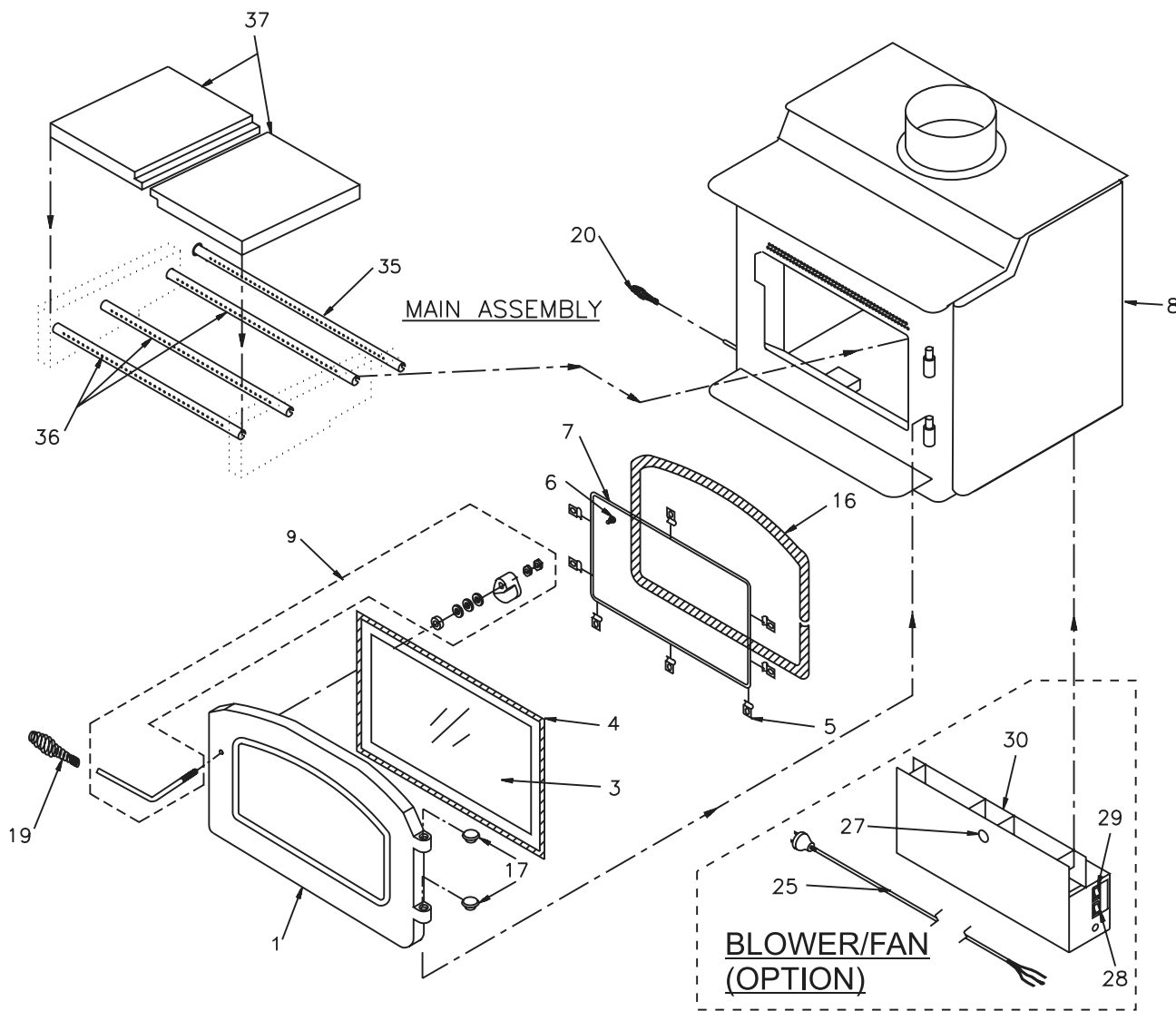
\*Not available as a replacement part.



## S3100 STEP STOVE MAIN ASSEMBLY

Part #	Description	Part #	Description
1)	846-910 Door Assy-Large Gold S3100 (no glass)	846-515	Complete Fan/Blower Assy (120 V)
	846-916 Door Assy-Large Black S3100 (no glass)	25)	910-684 Power Cord (120 V)
3)	846-304 Glass - Replacement - Large - S3100	27)	910-142 Thermodisc Fan Auto ON/OFF
4)	936-243 7/8" Adhesive Tape Gasket	28)	910-138 Manual/Auto Switch (2-way)
5)	846-920 Glass Retainer Clips (8/set)	29)	910-140 Fan Speed Switch HI/OFF/LOW (3-way)
6)	* Screw - 1/4 - 20 x 3/8"	30)	910-157/P Fan/Blower Motor (120 V)
7)	948-172/P Large Glass Retainer - S3100	35)	063-954 Air Tube - S3100 (Qty:1)
8)	150-006 Side Panel - Right - S3100	36)	063-953 Air Tube - 1" S3100 (Qty: 3)
	150-005 Side Panel - Left - S3100	37)	063-955 Baffle (set) S3100
9)	846-973 Door Handle Assembly		
16)	846-570 7/8" Door Gasket Repair Kit	908-288a	Manual
17)	846-918 Hinge Cap - Gold (2/set)		
19)	948-101 Spring Handle - Large		
20)	948-102 Spring Handle - Small		

\*Not available as a replacement part.



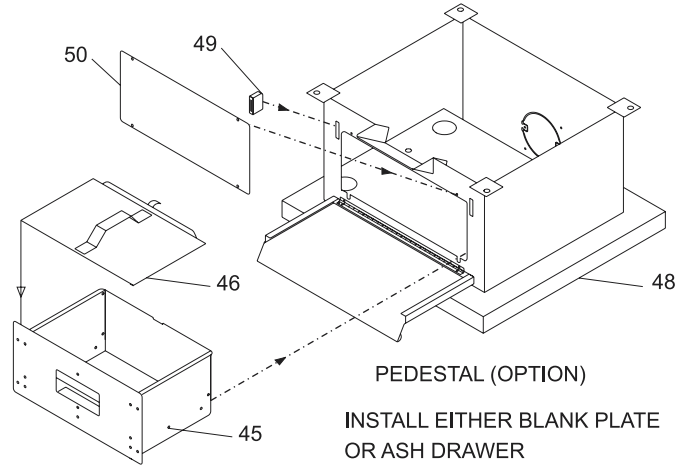
# PARTS LIST

## PEDESTAL, BOTTOM SHIELD & LEG OPTIONS

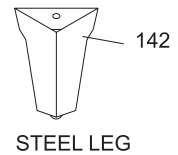
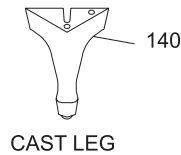
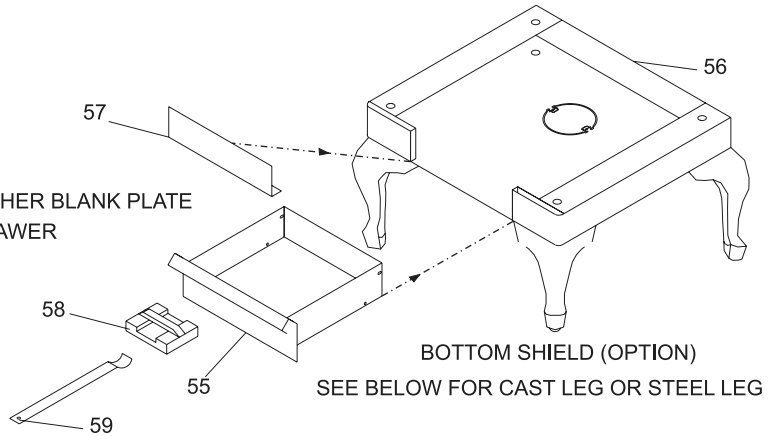
Part #	Description
48) 850-115	Pedestal - Small
850-315	Pedestal - Large
49) 904-257	Large Magnet Catch
50) *	Blanking Plate - Pedestal
850-100	Ashdrawer Kit - Pedestal
45) *	Ashdrawer - Pedestal
46) *	Ashdrawer Lid Assy
58) 942-110	Ash Plug
59) 820-249	Ash Plug Tool Handle
56) 850-121	Bottom Shield - Small
850-321	Bottom Shield - Large
57) *	Blanking Plate - Btm Shield
850-101	Ashdrawer Kit - Btm Shield
55) *	Ashdrawer - Bottom Shield
58) 942-110	Ash Plug
59) 820-249	Ash Plug Tool Handle
140) 850-126	Legs - Cast Black
850-127	Legs - Cast Gold
142) 850-125	Legs - Steel Black
948-216	Logo - Regency

\*Not available as a replacement part.

INSTALL EITHER "BOTTOM SHIELD (OPTION)" OR "PEDESTAL (OPTION)"

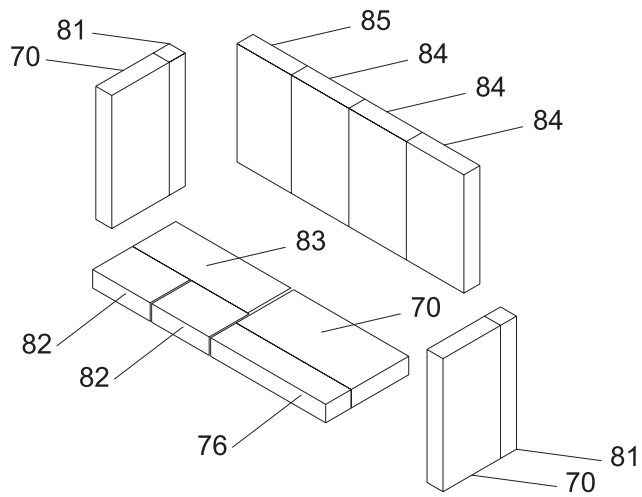


INSTALL EITHER BLANK PLATE OR ASH DRAWER

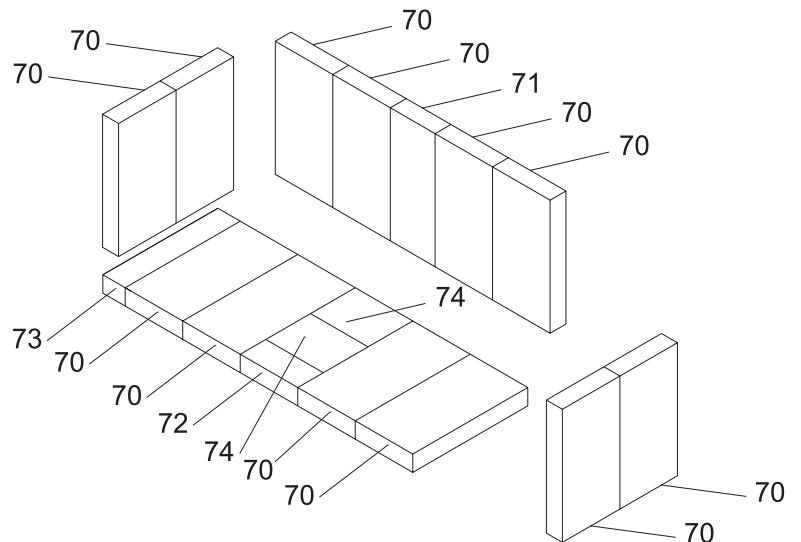


## FIREBRICK

Part #	Description
70) 902-111	Brick - Regular Full Size: 1-1/4" x 4-1/2" x 9"
71) 802-104	Brick Partial: 1-1/4" x 4" x 9"
72) 802-122	Brick Partial: 1-1/4" x 2" x 4-1/2"
73) 802-146	Brick Partial: 1-1/4" x 1-3/4" x 9"
74) 802-147	Brick Partial: 1-1/4" x 4-1/2" x 3-1/2"
76) 802-152	Brick Partial: 1-1/4" x 2" x 9"
77) 802-145	Brick Partial: 1-1/4" x 3-1/4" x 9"
78) 802-149	Brick Partial: 1-1/4" x 4-1/2" x 3-1/4"
79) 802-153	Brick Partial: 1-1/4" x 4-1/2" x 2-1/4"
80) 802-154	Brick Partial: 1-1/4" x 6-1/2" x 2-1/4"
81) 802-135	Brick Partial: 1-1/4" x 1-1/4" x 9"
82) 802-155	Brick Partial: 1-1/4" x 3-1/8" x 4-1/2"
83) 802-138	Brick Partial: 1-1/4" x 3-3/8" x 9"
84) 802-107	Brick Partial: 1-1/4" x 4-1/2" x 8"
85) 802-156	Brick Partial: 1-1/4" x 4-1/4" x 8"



## FREESTANDING - SMALL - F1100



## FREESTANDING - LARGE - F3100 and S3100











Regency Fireplace Products are designed with reliability and simplicity in mind. In addition, our internal Quality Assurance Team carefully inspects each unit thoroughly before it leaves our door. Regency Industries Ltd. is pleased to extend this limited lifetime warranty to the original purchaser of a Regency Product.

**The Warranty:** Lifetime

Covered under the agreement are the following components:

Firebox, ceramic baffle, convactor airmate, castings, ashdrawer, glass (thermal breakage) and all gold plating (against defective manufacture).

The above will be covered for parts and labour for the first five years and parts only thereafter.

Electrical components such as blowers and switches are covered for one year from the date of purchase.

**Conditions:**

Any part or parts of this unit which in our judgement show evidence of such defects will be repaired or replaced at Regency's option, through an accredited distributor or agent provided that the defective part be returned to the distributor or agent **Transportation Prepaid**, if requested.

**Exclusions:**

This limited Lifetime Warranty does not extend to include paint, door or glass gasketing, firebrick or trim. It does not cover installation and operational related problems such as over-firing, use of corrosive driftwood, downdrafts or spillage caused by environmental conditions, nearby trees, buildings, hilltops, mountains, inadequate venting or ventilation, excessive offsets, negative air pressures caused by mechanical systems such as furnaces, fans, clothes dryers etc.

It is essential that all submitted claims provide all of the necessary information including purchase date, serial #, type of unit and part or parts requested.



Regency fireplace products are designed with reliability and simplicity in mind. In addition, our internal Quality Assurance Team carefully inspects each unit thoroughly before it leaves our door.

Fireplace Products International Ltd. is pleased to extend this Limited Lifetime Warranty to the original purchaser of a Regency Product.

See the inside back cover for details.

Register your Regency online at  
<http://www.regency-fire.com>

*Installer: Please complete the following information*

Dealer Name & Address: \_\_\_\_\_

\_\_\_\_\_

Installer: \_\_\_\_\_

Phone #: \_\_\_\_\_

Date Installed: \_\_\_\_\_

Serial No.: \_\_\_\_\_